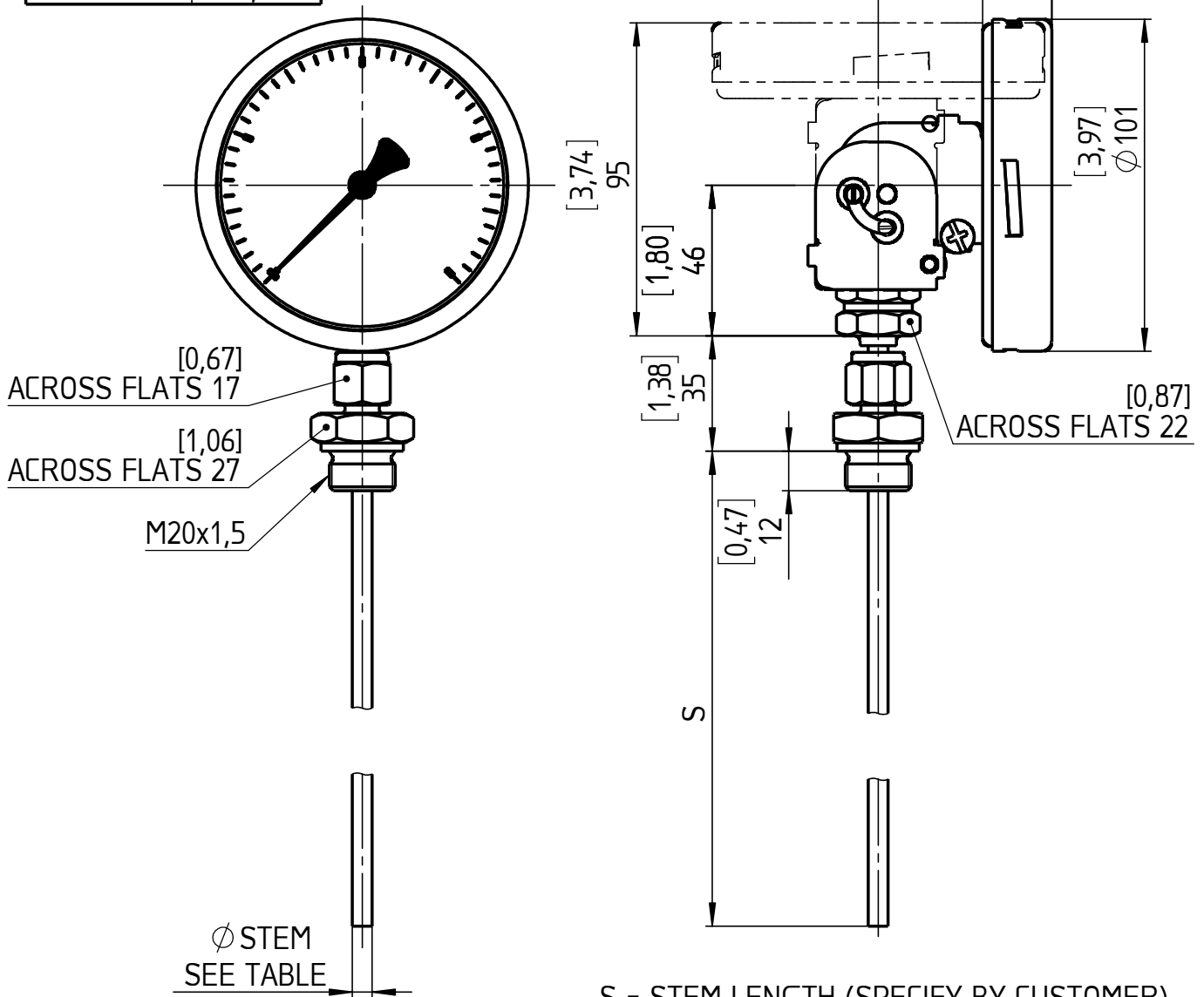
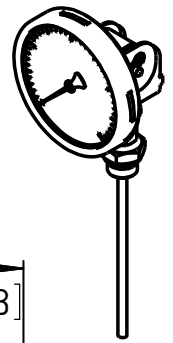


EXECUTION	Ø STEM
AE	[0,31] 8
AI	[0,25] 6,4
AM	[0,24] 6
A3B	[0,38] 9,5

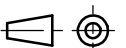


S = STEM LENGTH (SPECIFY BY CUSTOMER)

All specifications are subject to change without notice.

This drawing includes confidential information which is the property of ASHCROFT INC. This copy is loaned for a specific purpose, with the understanding that it will not be reproduced or used for any other purpose or disclosed to others, and it will be returned on demand.

Dimensions in mm [inch]



General Dimension
Bimetal, NG100, A,
Every Angle, 090

	Date	Name
Drawn	27.02.18	J. Krott
Checked	27.02.18	Th. Wal

ASHCROFT

DWG. NO.

A 076 I 2-NG100A-E-090

Rev.	Description	Date	Na.