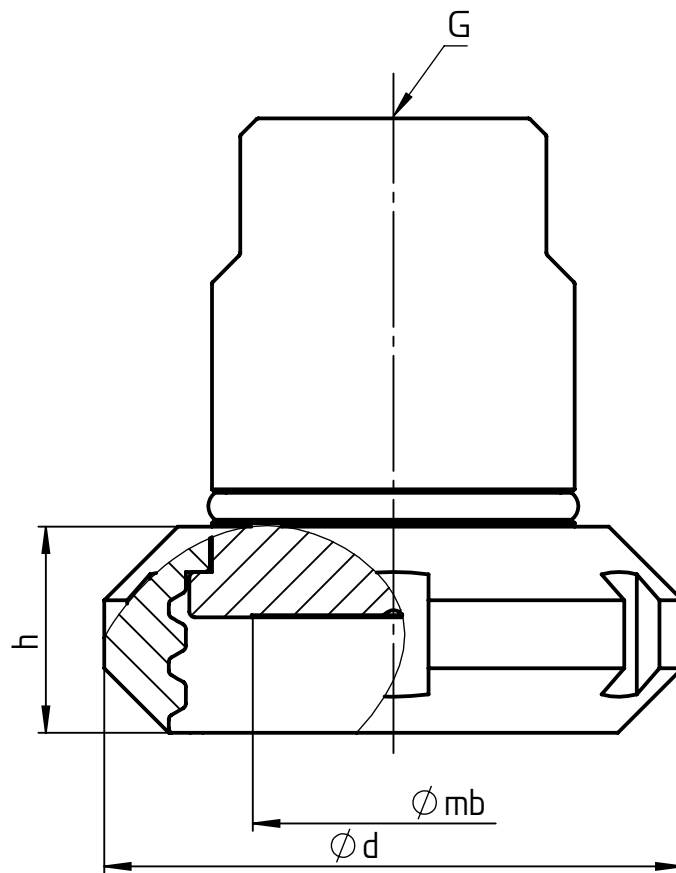
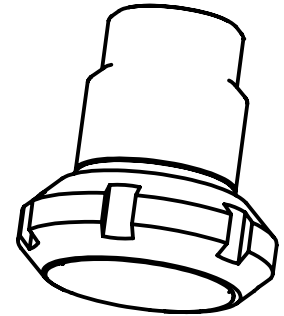


CONNECTION SIZE	CODE	ϕd	ϕmb	h	G	Weight kg
SMS UNION 1"	SU10	[2,01] 51	[0,98] 25	[0,75] 19	51T G 1/2	0,3
SMS UNION 1 1/2"	SU15	[2,91] 74	[1,42] 36	[0,91] 23	or	0,7
SMS UNION 2"	SU20	[3,31] 84	[1,89] 48	[0,94] 24	INA	0,9
SMS UNION 2 1/2"	SU25	[3,94] 100	[2,05] 52	[1,10] 28	other conn. using adapter from G 1/2	1,3
SMS UNION 3"	SU30	[4,49] 114	[2,83] 72	[1,22] 31		2,0



All specifications are subject to change without notice.

This drawing includes confidential information which is the property of ASHCROFT INC. This copy is loaned for a specific purpose, with the understanding that it will not be reproduced or used for any other purpose or disclosed to others, and it will be returned on demand.

Dimensions in mm [inch]



General Dimension
Sanitary Diaphragm Seal
Model 326, SMS female

Rev.	Description	Date	Na.	Date	Name
				Drawn	01.12.20 J. Krott
				Checked	30.04.21 <i>C. Krott</i>
A	Title Changed	30.04.21	Krott		

ASHCROFT

DWG. NO.

A 076 I 3-326 female