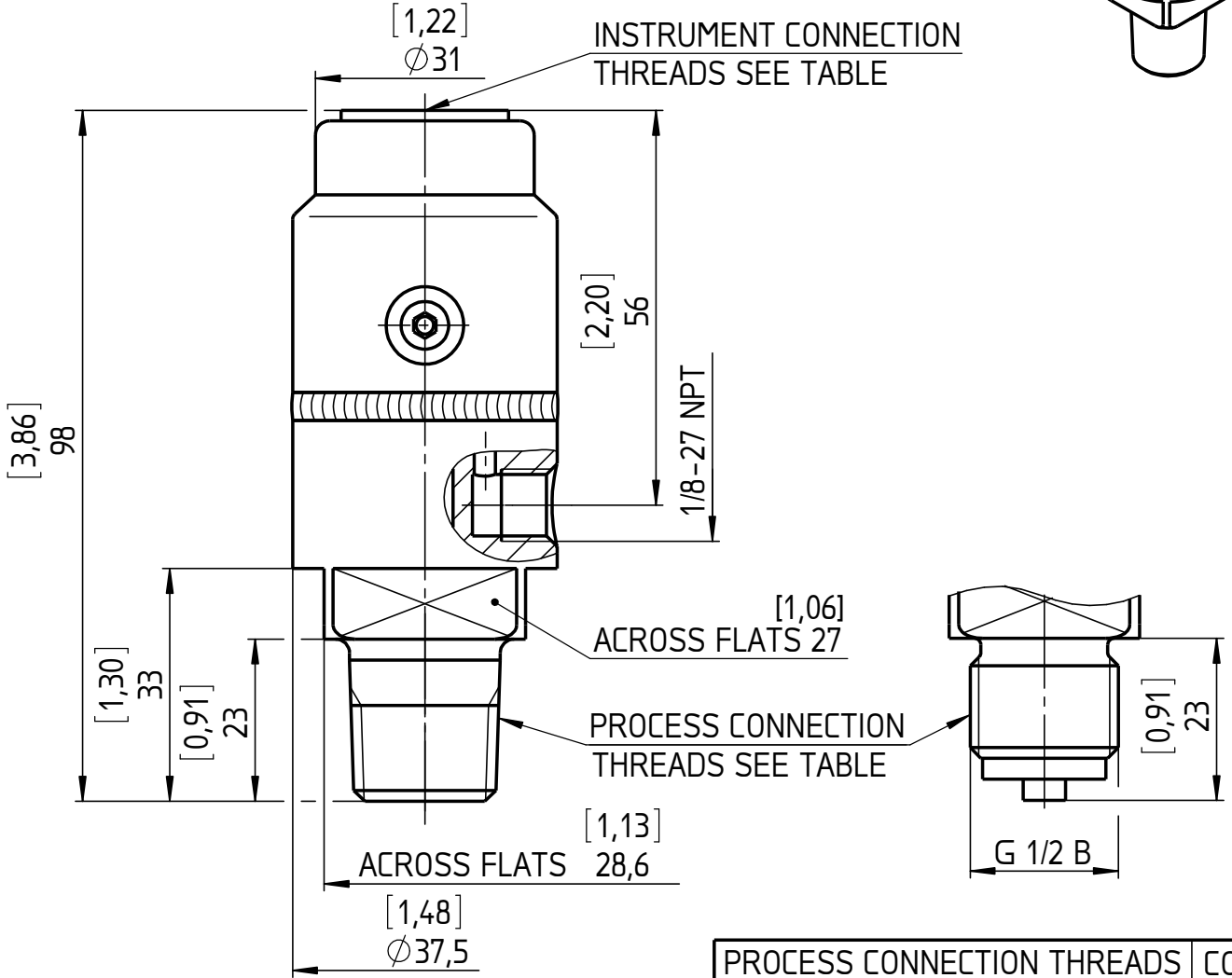
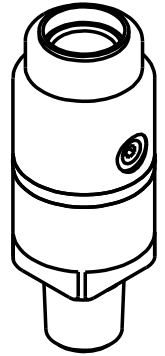


INSTRUMENT CONNECTION THREADS	CODE
1/4-18 NPT FEMALE	02T
1/2-14 NPT FEMALE	04T
G 1/4 FEMALE; DIN EN 837	13T
M20x1,5 FEMALE; DIN 3852-1	16T
G 1/2 FEMALE; DIN EN 837	51T



PROCESS CONNECTION THREADS	CODE
1/4-18 NPT MALE; DIN EN 837	02
1/2-14 NPT MALE; DIN EN 837	04
G 1/4 B MALE; DIN EN 837	13
M20x1,5 MALE; DIN 3852-1	16
G 1/2 B MALE; DIN EN 837	18
R 1/2 MALE; ISO 7-1 (DIN 2999)	KQ

All specifications are subject to change without notice.

This drawing includes confidential information which is the property of ASHCROFT INC. This copy is loaned for a specific purpose, with the understanding that it will not be reproduced or used for any other purpose or disclosed to others, and it will be returned on demand.

Dimensions in mm [inch]

General Dimension
Seal, 511, High Pressure 5000 psi
male process connection

Rev.	Description	Date	Na.
B	Change title box	11.07.16	Krott
A	CODE corrected	11.09.13	Krott



DWG. NO. **A 076 | 3-511-High Pressure-male**