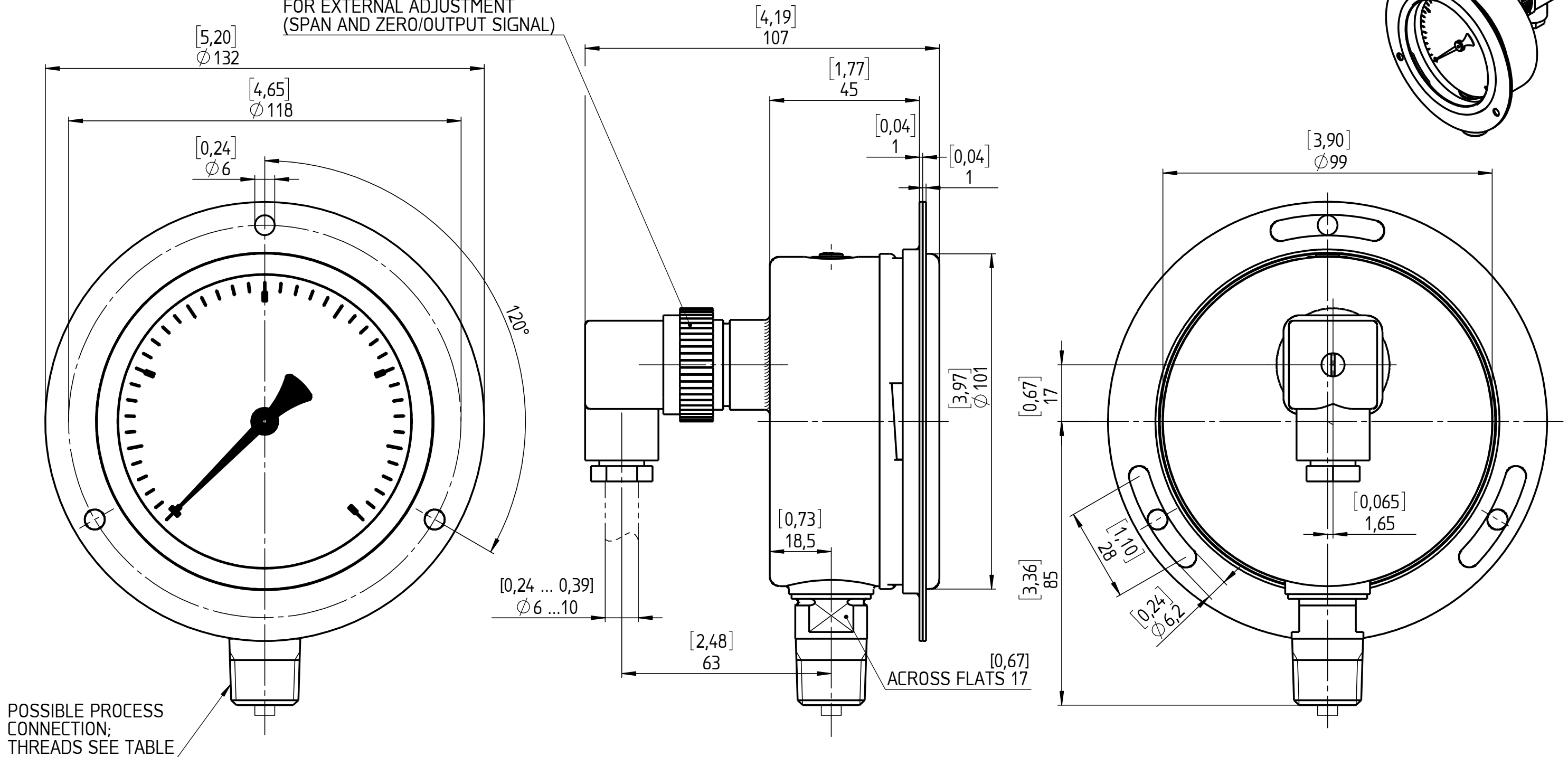


MOUNTING RING REMOVEABLE
FOR EXTERNAL ADJUSTMENT
(SPAN AND ZERO/OUTPUT SIGNAL)



POSSIBLE PROCESS
CONNECTION;
THREADS SEE TABLE

THREADS	CODE
1/4 - 18 NPT MALE; DIN EN 837	02
1/2 - 14 NPT MALE; DIN EN 837	04
9/16 - 18 UNF - 2B FEMALE; AMINCO; HP	09
G 1/4 B MALE; DIN EN 837	13
G 3/8 B MALE; DIN EN 837	14
G 1/2 B MALE; DIN EN 837	15
M20x1,5 MALE	16

This drawing includes confidential information which is the property of ASHCROFT INC. This copy is loaned for a specific purpose, with the understanding that it will not be reproduced or used for any other purpose or disclosed to others, and it will be returned on demand.

Rev.	Description	Date	Na.

ASHCROFT

Dimensions in mm [inch]	
General Dimension	
T55E, NG100, Lower, FF	
angle connector according DIN EN 175301-803 on the back	
DWG. NO.	
B 076 1-T55E-NG100-L-M1-FF	

All specifications are subject to change without notice.