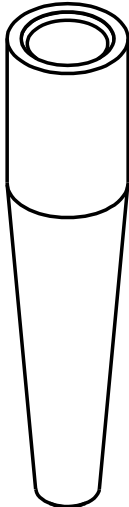
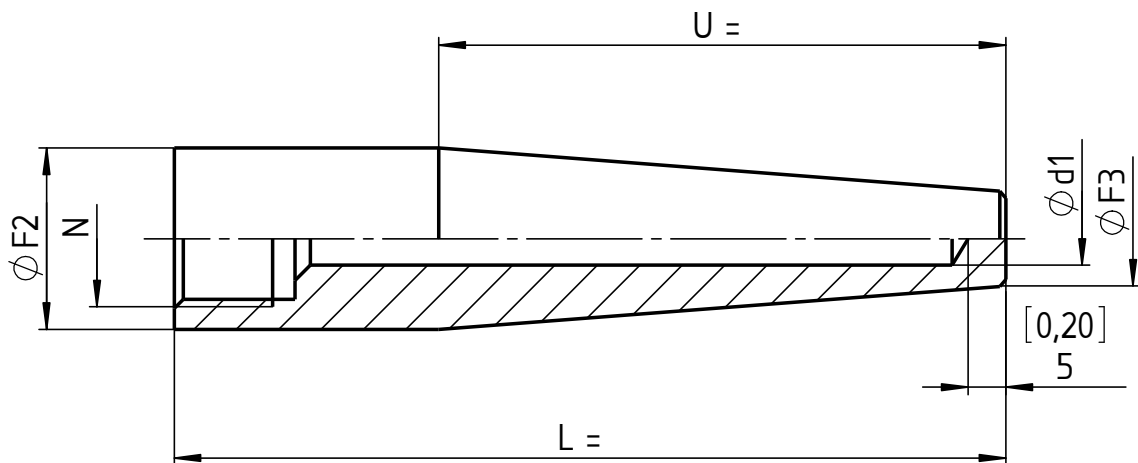


L	U	$\phi$ F2	$\phi$ d1	N	$\phi$ F3	
[4,33] 110	[2,56] 65	[0,14] 3,5	[0,71] 18	M14 x 1,5	[0,35] 9	
[4,33] 110	[2,87] 73	[0,28] 7	[0,94] 24	M18 x 1,5	[0,49] 12,5	
[5,51] 140	[2,56] 65	[0,35] 9	[1,02] 26	G 1/2 (M20 x 1,5)	[0,59] 15	
[6,69] 170	[5,24] 133	[0,43] 11	[1,26] 32	G 3/4 (M27 x 2)	[0,67] 17	
[7,87] 200	[2,56] 65	[0,51] 13	[0,75] 19		[0,75] 19	
[7,87] 200	[4,92] 125	[0,55] 14	[0,79] 20		[0,79] 20	
[10,24] 260	[4,92] 125					
* [16,14] 410	[10,83] 275					
				[0,14]		

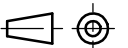
\* Not for thermowell with  $\phi$ d1 = 3,5



All specifications are subject to change without notice.

This drawing includes confidential information which is the property of ASHCROFT INC. This copy is loaned for a specific purpose, with the understanding that it will not be reproduced or used for any other purpose or disclosed to others, and it will be returned on demand.

Dimensions in mm [inch]



General Dimension  
Thermowell DIN 43772, form 4

	Date	Name
Drawn	28.06.18	J. Krott
Checked	28.06.18	Th. Wal

**ASHCROFT**

DWG. NO.

A 076 I 2-DIN 43772-form 4

Rev.	Description	Date	Na.
------	-------------	------	-----