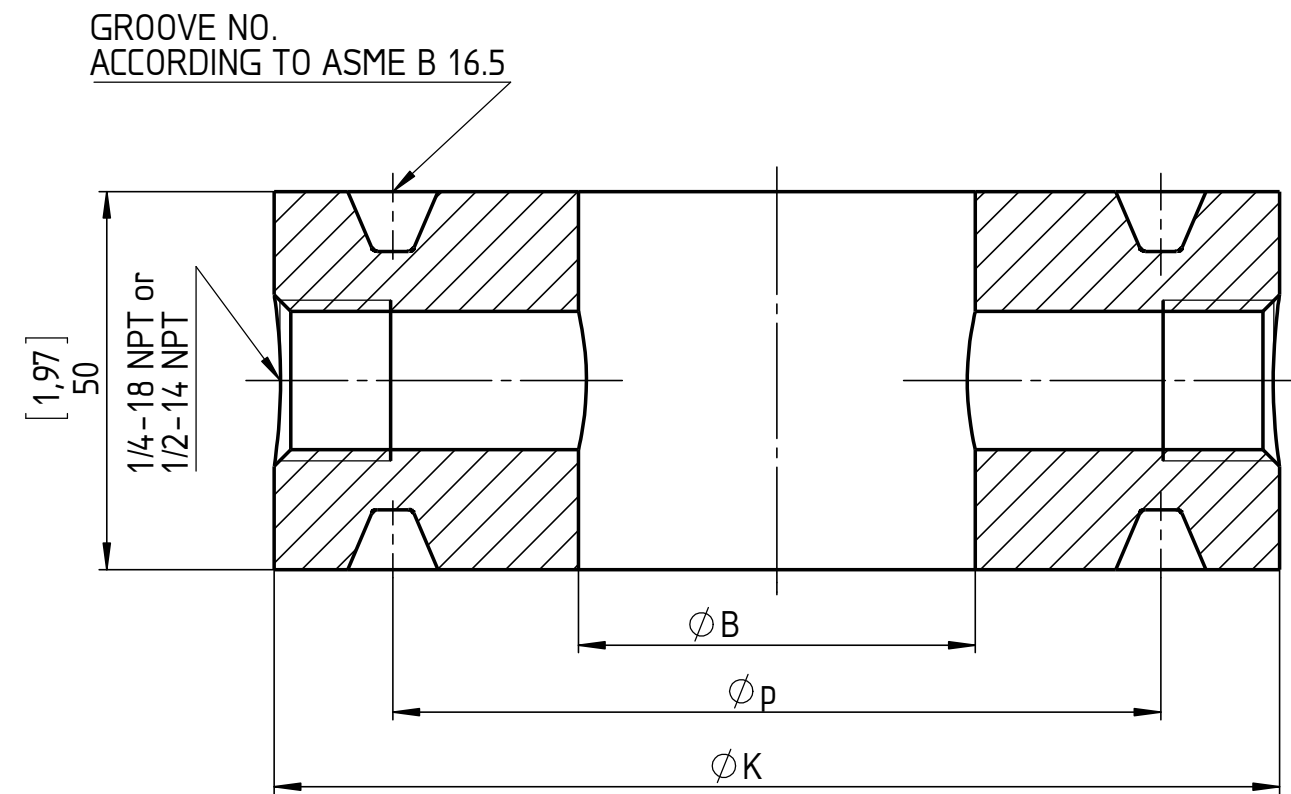
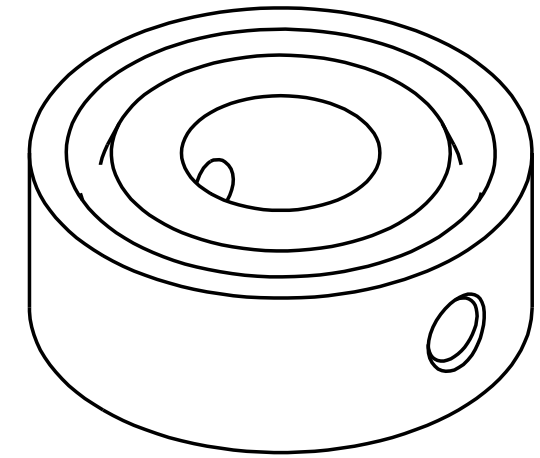


Size DN	PRESSURE CLASSES	$\phi K$	$\phi p$	$\phi B$	
1"	150	[2,50] 63,5	[1,87] 47,6	[1,05] 26,6	
	300/400/600	[2,76] 70,0	[2,00] 50,8		
	900/1500	[2,81] 71,5			
	2500	[3,25] 82,5	[2,37] 60,3		
1 1/2"	150	[3,25] 82,5	[2,56] 65,1	[1,61] 40,9	
	300/400/600	[3,56] 90,5	[2,69] 68,3		
	900/1500	[3,62] 92,0			
	2500	[4,49] 114,0	[3,25] 82,6		
2"	150	[4,02] 102,0	[3,25] 82,6	[2,07] 52,5	
	300/400/600	[4,25] 108,0			
	900/1500	[4,88] 124,0	[3,75] 95,3		
	2500	[5,24] 133,0	[4,00] 101,6		
3"	150	[5,24] 133,0	[4,50] 114,3	[3,07] 77,9	
	300/400/600	[5,75] 146,0	[4,87] 123,8		
	900	[6,14] 156,0			
	1500	[6,61] 168,0	[5,37] 136,5		
	2500		[5,00] 127,0		
4"	150	[6,73] 171,0	[5,87] 149,2	[4,03] 102,3	
	300/400/600	[6,89] 175,0			
	900	[7,13] 181,0			
	1500	[7,64] 194,0			[6,37] 161,9
	2500	[7,99] 203,0			[6,19] 157,2



All specifications are subject to change without notice.

This drawing includes confidential information which is the property of ASHCROFT INC. This copy is loaned for a specific purpose, with the understanding that it will not be reproduced or used for any other purpose or disclosed to others, and it will be returned on demand.				Dimensions in mm [inch]		
				General Dimension		
				Flushing ring		
				Ring joint ASME B 16.5		
				DWG. NO.		
				B 076   3-FR-RJ		
Rev.	Description	Date	Na.			