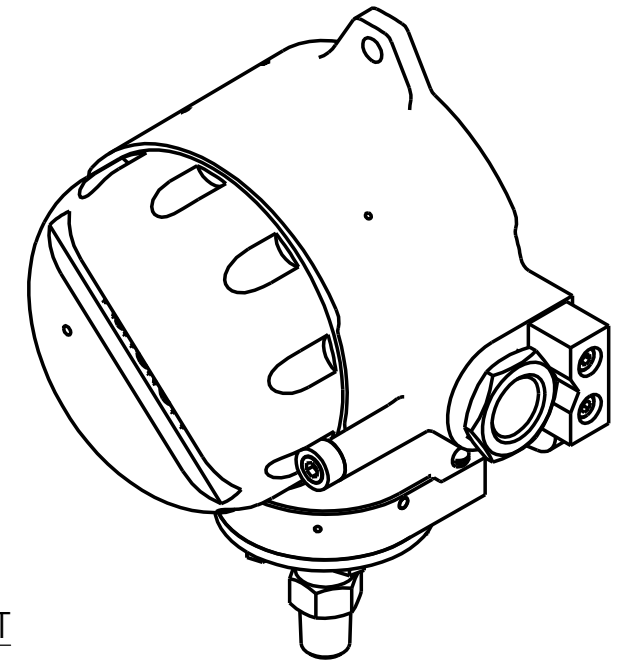
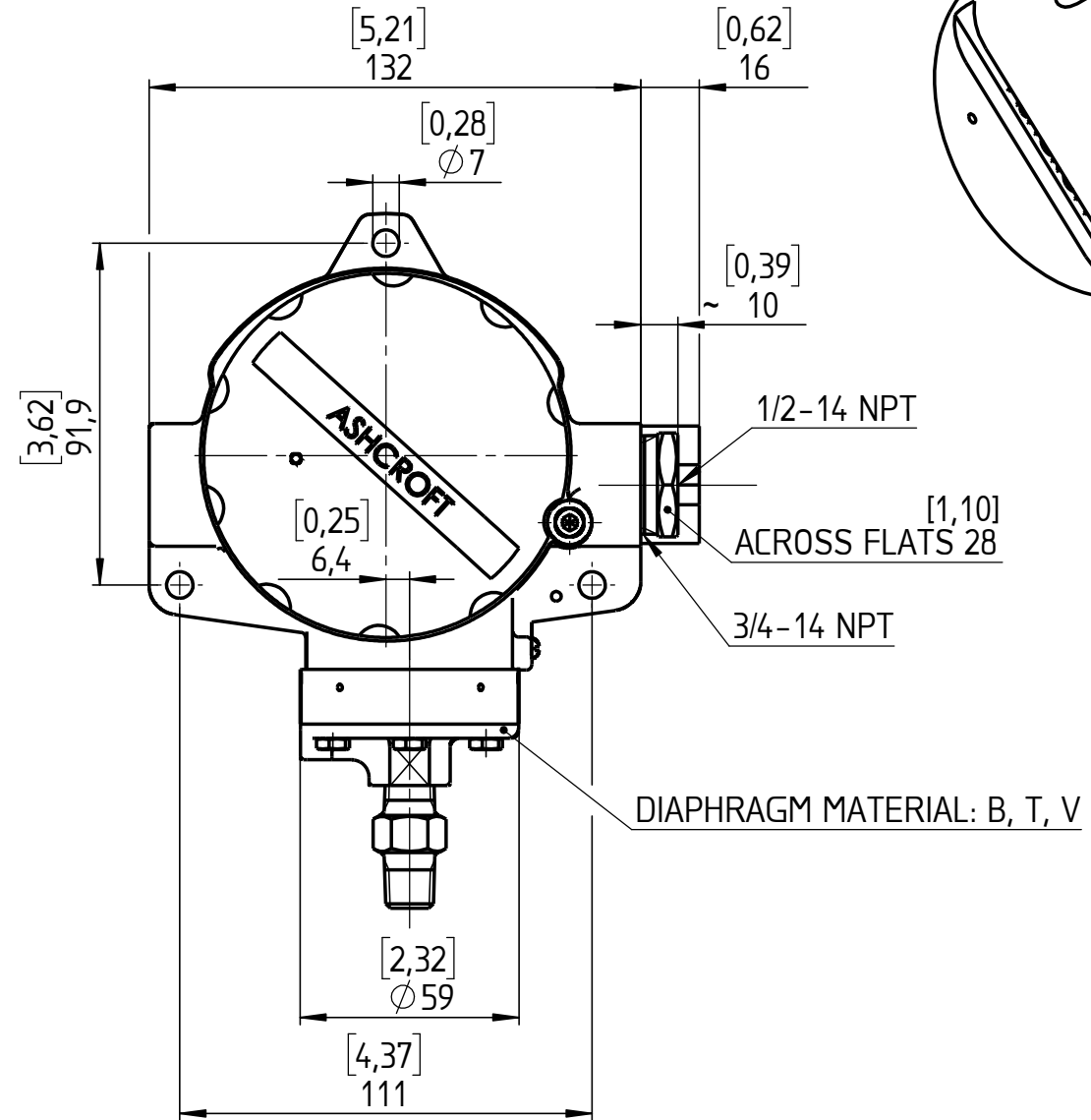
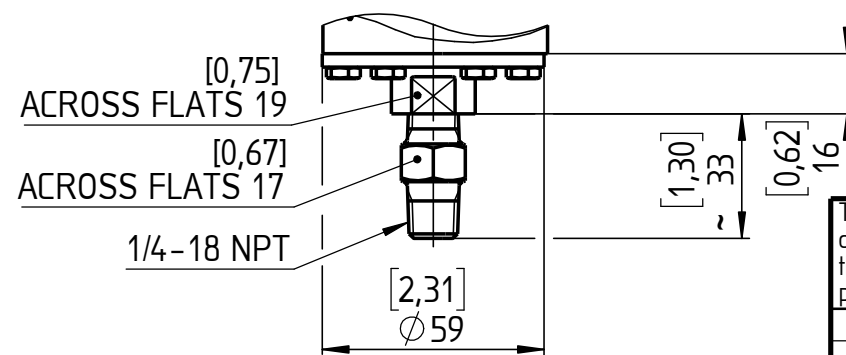


DIAPHRAGM MATERIAL: S, P



This drawing includes confidential information which is the property of ASHCROFT INC. This copy is loaned for a specific purpose, with the understanding that it will not be reproduced or used for any other purpose or disclosed to others, and it will be returned on demand.

Rev.	Description	Date	Na.	Date	Name
				12.09.18	J. Krott
				12.09.18	Th. Wel



Dimensions in mm [inch]

General Dimension
B700, PSI, CN, 02
 reducing bushing 3/4-14 NPTf to 1/2-14 NPTf

DWG. NO.
B 076 | 4-B700-PSI-CN-02-JL