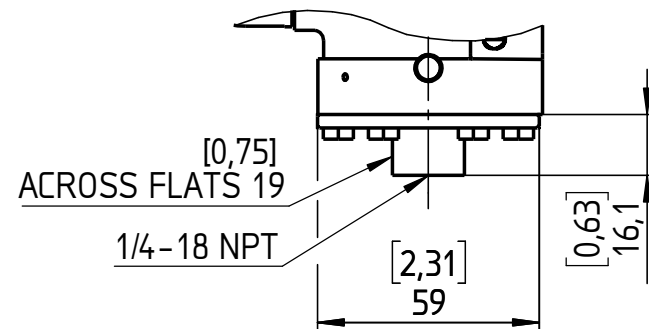


DIAPHRAGM MATERIAL: S, P



This drawing includes confidential information which is the property of ASHCROFT INC. This copy is loaned for a specific purpose, with the understanding that it will not be reproduced or used for any other purpose or disclosed to others, and it will be returned on demand.

Dimensions in mm [inch]

**General Dimension**  
**B700, PSI, CN, 25**  
 reducing bushing 3/4-14 NPTf to M20x1,5f



DWG. NO.  
**B 076 | 4-B700-PSI-CN-25-JM**

All specifications are subject to change without notice.

Rev.	Description	Date	Na.	Date	Name
				15.07.16	J. Krott
				19.07.16	Th. Wel