

8008A Pressure Gauge

FEATURES

- Meets EN 837-1 and ASME B40.100 specifications
- Corrosion resistant stainless steel case
- Dry gauges are field fillable
- Flutterguard™ standard on dry gauges
- Custom dials available
- Ventable fill plug
- Accessory kits for easy panel mounting

TYPICAL USES

- Hydraulic systems
- Hydraulic hand tools
- Injection molding equipment
- Pressure washers and sprayers
- Paint spray equipment
- Compressors
- Irrigation equipment



SPECIFICATIONS

Accuracy		
63 mm:	Class 1,6 per EN 837-1 Class 1 per EN 837-1 ASME B40.100, Grade A, +2-1-2% of span	
100 mm:	Class 1 per EN 837-1	
Sizes:	63 mm (2 1/2"); 100 mm (4")	
Ranges:	Vacuum, compound, 15 to 15.000 psi, bar, kPa, MPa, kg/cm², (available in single or dual scale)	
Working Pressure:	Steady: 75% full-scale value Fluctuating: 80% full-scale value Short Time: full scale value	
Over Pressure/	≤ 100 bar ranges:	
Proof Pressure:	125% of maximum scale value > 100 to ≤ 600 bar ranges: 115% of maximum scale value > 600 to ≤ 1000 bar ranges: 110% of maximum scale value	
Process Connection	63 mm:	Lower or center back
Location:	100 mm:	Lower or lower back
Process Connection	63 mm:	1/8 NPT, 1/4 NPT, G1/4 B, 1/4 BSPT,
Location:		SAE-4 7/16-20, M14x1.5, #4JIC
	100 mm:	1/4 NPT, 1/2 NPT, G1/4 B, G1/2 B, M20x1.5, 1/4 BSPT, 1/2 BSPT
Dial:	Black figures on white background (blue secondary scale for dual scale dials); aluminum	
Pointer:	Black, aluminum	
Movement:	Brass	
Dampening:	Flutterguard™, Glycerin fill, Silicone fill	
Temperature Effects:	±0.04% of span per °C change; ±0.4% of span per 18°F change; reference temp. 20°C (68°F)	
Approvals:	RoHS (EU Directives 2011/65/EU and 2015/863); PED (2014/68/EU); REACH compliant; CRN; IP 66 rating; Nema 4 for water and dust ingress	

KEY BENEFITS

- Rugged design for OEM applications
- Cost effective for high volume applications
- Retrofits existing applications
- Customizable for new applications

WETTED MATERIAL

Bourdon Tube	Process Connection	Restrictor
Bronze (vacuum-8700 psi & compound)	Brass/Soldered (vacuum-8,700 psi & compound)	Brass (0.013" orifice)
Stainless steel 316 (10.000 psi-15.000 psi)	Brass/Brazed (10.000 psi & 15.000 psi)	

NON-WETTED MATERIAL

Case	Window	Ring
Stainless steel 304	Polycarbonate, glass, or safety glass	Stainless steel 304, crimped

MIN/MAX TEMPERATURE LIMITS

VERSION	AMBIENT	PROCESS	STORAGE
Dry with Flutterguard™	-40°C to 70°C (-40°F to 158°F)	-40°C to 70°C (-40°F to 158°F)	-40°C to 70°C (-40°F to 158°F)
Glycerin Fill	-7°C to 70°C (20°F to 158°F)	-20°C to 70°C (-4°F to 158°F)	-40°C to 70°C (-40°F to 158°F)
Silicone Fill	-40°C to 70°C (-40°F to 158°F)	-40°C to 70°C (-40°F to 158°F)	-40°C to 70°C (-40°F to 158°F)

8008A Pressure Gauge

ORDERING CODE		EXAMPLE:	63	8008A	4	G	02	L	P	0	L	10BR	XWP
Dial Size													
63	63 mm (2 1/2")		63										
100	100 mm (4")												
Model				8008A									
8008A	Pressure gauge			8008A									
Case/Ring Material													
4	Stainless steel 304 (1.4301)				4								
Fill													
F	Dry with Flutterguard™												
G	Glycerin filled					G							
S	Silicone filled												
N	Dry, Silicone free												
T	Dry, with silicone free Flutterguard™												
Process Connection Sizes													
01	1/8 NPT Male (63mm only)												
02	1/4 NPT Male						02						
04	1/2 NPT Male (100mm only)												
13	G1/4 B Male												
15	G1/2 B Male (100 mm only)												
KA	1/4 BSPT												
RW	SAE-4 7/16-20 (63 mm only)												
16	M20x1,5 (100 mm only)												
41	M14x1,5 (63 mm only)												
EJ	#4JIC (63 mm only)												
KD	1/2 BSPT (100 mm only)												
Process Connection Location													
B	Lower-back (100 mm only)												
C	Center-back (63 mm only)												
D	3 o'clock (right side)												
E	9 o'clock (left side)												
L	Lower							L					
T	Top												
Window Material													
P	Polycarbonate								P				
R	Regular glass												
S	Safety glass												
Case Mounting													
0	Stem mounting									0			
1	U-clamp												
2	Front flange												
4	Front flange and U-clamp												
5	Trim ring and U-clamp (63 mm only)												
Accuracy													
J	±1% of span												
L	±1,6% of span										L		
M	±2-1-2% of span												
Ranges (coding examples only, see Table 1 at page 3 for all standard ranges)													
10BR	10 bar											10BR	
Additional Options													
X	See Table 2 at page 6												XWP



8008A Pressure Gauge
TABLE 1 - COMMERCIAL GAUGE RANGES

psi	bar	kPa	Mpa	kg/cm ²	NOTES
30IMV	-1BR	-100KP	-0,1MP	-1KSC	<i>100mm gauge only available as liquid filled for these ranges.</i>
-	-1&0,6BR	-100&60KP	-0,1&0,06MP	-1&0,6KSC	
V&15#	-	-	-	-	
-	-1&1,5BR	-100&150KP	-0,1&0,15MP	-1&1,5KSC	
V&30#	-	-	-	-	
-	-1&3BR	-100&300KP	-0,1&0,3MP	-1&3KSC	
V&60#	-	-	-	-	
-	-1&5BR	-100&500KP	-0,1&0,5MP	-1&5KSC	
V&100#	-	-	-	-	
-	-1&9BR	-100&900KP	-0,1&0,9MP	-1&9KSC	
15#	1BR	100KP	0,1MP	1KSC	<i>100mm gauge only available as liquid filled for these ranges.</i>
20#	-	-	-	-	
-	1,6BR	160KP	0,16MP	1,6KSC	
30#	-	-	-	-	
-	2,5BR	250KP	0,25MP	2,5KSC	
60#	4BR	400KP	0,4MP	4KSC	
-	6BR	600KP	0,6MP	6KSC	
100#	-	-	-	-	
120#	-	-	-	-	
-	10BR	1.000KP	1MP	10KSC	
160#	-	-	-	-	
200#	-	-	-	-	
-	16BR	1.600KP	1,6MP	16KSC	
300#	-	-	-	-	
-	25BR	2.500KP	2,5MP	25KSC	
400#	-	-	-	-	
500#	-	-	-	-	
600#	40BR	4.000KP	4MP	40KSC	
800#	-	-	-	-	
-	60BR	6.000KP	6MP	60KSC	
1000#	-	-	-	-	
1500#	100BR	10.000KP	10MP	100KSC	
2000#	-	-	-	-	
-	160BR	16,000KP	16MP	160KSC	
3000#	-	-	-	-	
-	250BR	25.000KP	25MP	250KSC	
4000#	-	-	-	-	
5000#	-	-	-	-	
6000#	400BR	40.000KP	40MP	400KSC	
8000#	-	-	-	-	
-	600BR	60.000KP	60MP	600KSC	
10000#	-	-	-	-	
15000#	1000BR	100.000KP	100MP	1.000KSC	



Data Sheet

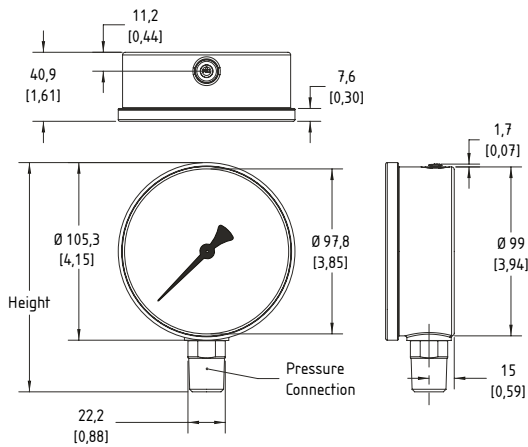
8008A Pressure Gauge

GENERAL DIMENSION in [] are inches

For reference only, consult Ashcroft for specific dimensional drawings

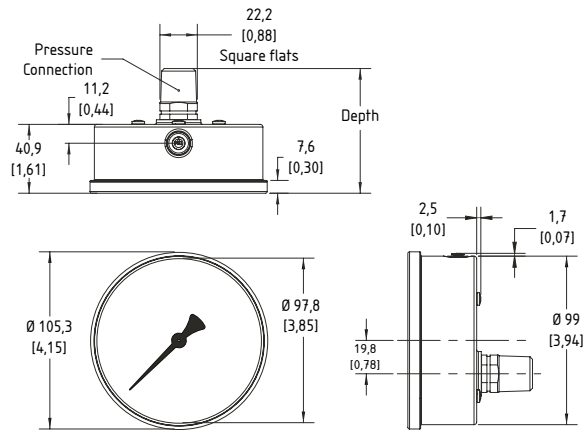
100mm lower connect

Connection Code	Pressure Connection	Height
02	¼ NPT	133,4 [5,25]
04	½ NPT	135,9 [5,35]
13	G ¼ B	130,0 [5,12]
15	G ½ B	138,2 [5,44]
41	M14x1.5	133,1 [5,24]
16	M20x1.5	138,1 [5,44]
KA	¼ BSPT	131,1 [5,16]
KD	½ BSPT	135,9 [5,35]



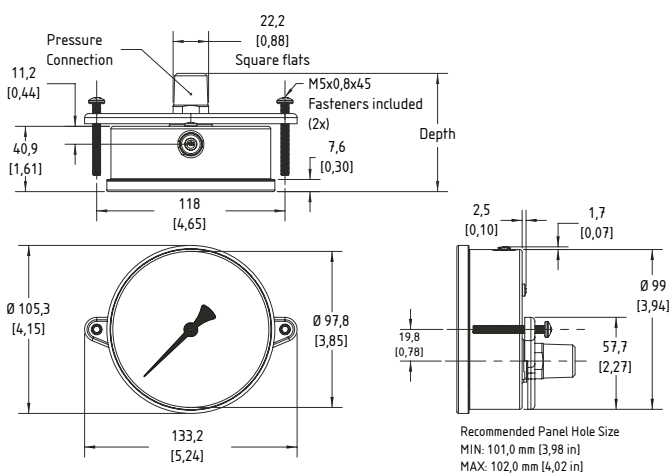
100mm lower back connect

Connection Code	Pressure Connection	Depth
02	¼ NPT	133,4 [5,25]
04	½ NPT	135,9 [5,35]
13	G ¼ B	130,0 [5,12]
15	G ½ B	138,2 [5,44]
41	M14x1.5	133,1 [5,24]
16	M20x1.5	138,1 [5,44]
KA	¼ BSPT	131,1 [5,16]
KD	½ BSPT	135,9 [5,35]



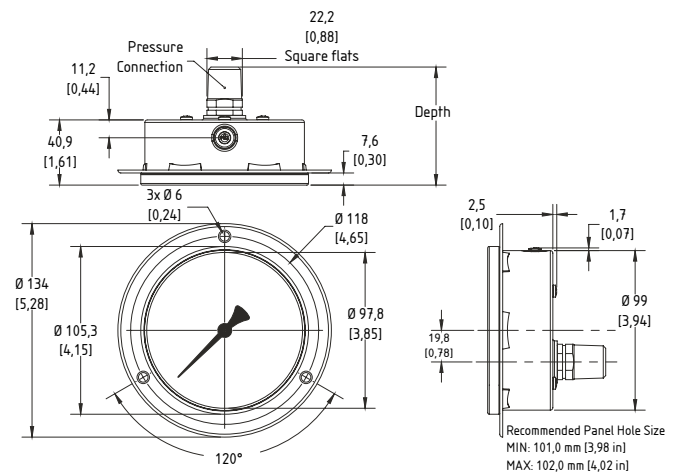
100mm lower back connect - U clamp

Connection Code	Pressure Connection	Depth
02	¼ NPT	133,4 [5,25]
04	½ NPT	135,9 [5,35]
13	G ¼ B	130,0 [5,12]
15	G ½ B	138,2 [5,44]
41	M14x1.5	133,1 [5,24]
16	M20x1.5	138,1 [5,44]
KA	¼ BSPT	131,1 [5,16]
KD	½ BSPT	135,9 [5,35]



100mm lower back connect - front flange

Connection Code	Pressure Connection	Depth
02	¼ NPT	133,4 [5,25]
04	½ NPT	135,9 [5,35]
13	G ¼ B	130,0 [5,12]
15	G ½ B	138,2 [5,44]
41	M14x1.5	133,1 [5,24]
16	M20x1.5	138,1 [5,44]
KA	¼ BSPT	131,1 [5,16]
KD	½ BSPT	135,9 [5,35]

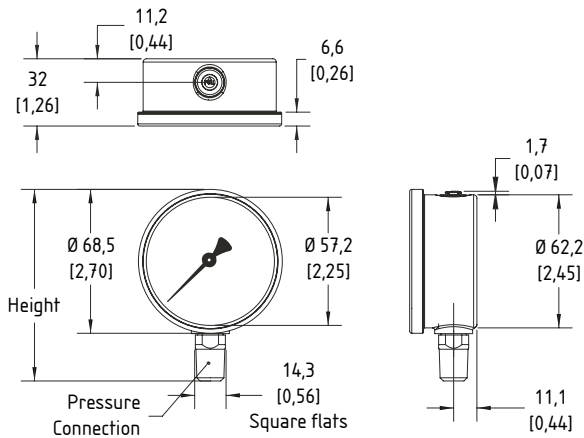


8008A Pressure Gauge
GENERAL DIMENSION in [] are inches

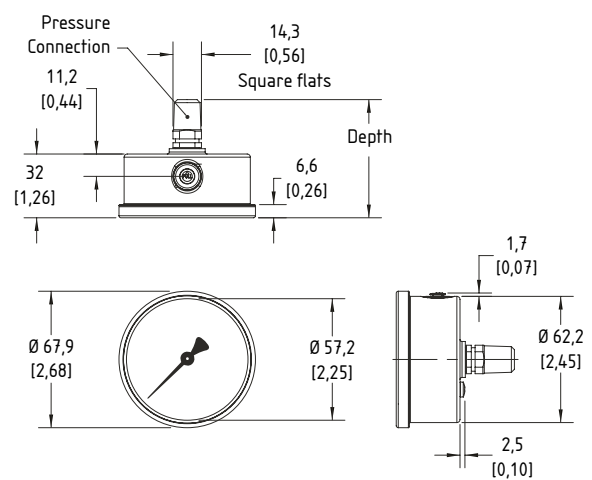
For reference only, consult Ashcroft for specific dimensional drawings

63mm lower connect

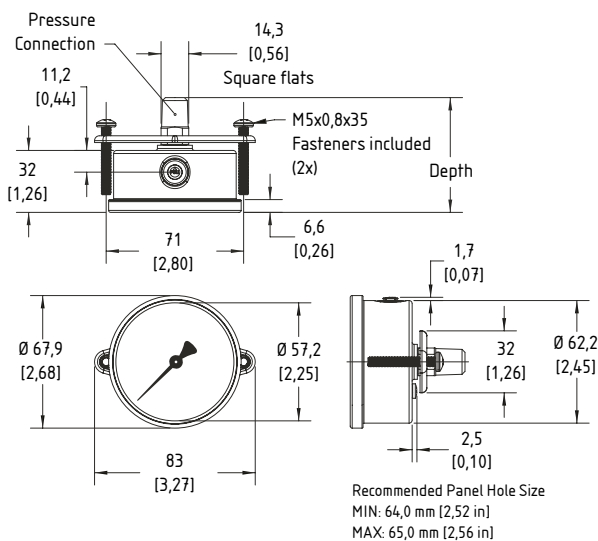
Connection Code	Pressure Connection	Height
01	1/8 NPT	55,1 [2,17]
02	1/4 NPT	59,3 [2,33]
13	G 1/4 B	59,0 [2,32]
KA	1/4 BSPT	57,0 [2,24]
RW	SAE-4 7/16-20	60,9 [2,40]
41	M14 X 1.5	60,0 [2,36]
EJ	#4JIC	57,7 [2,27]


63mm center back connect

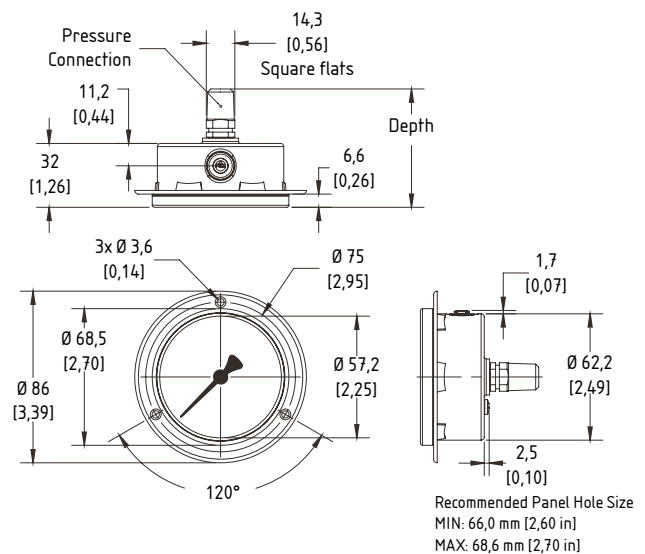
Connection Code	Pressure Connection	Depth
01	1/8 NPT	55,1 [2,17]
02	1/4 NPT	59,3 [2,33]
13	G 1/4 B	59,0 [2,32]
KA	1/4 BSPT	57,0 [2,24]
RW	SAE-4 7/16-20	60,9 [2,40]
41	M14 X 1.5	60,0 [2,36]
EJ	#4JIC	57,7 [2,27]


63mm center back connect - U clamp

Connection Code	Pressure Connection	Depth
01	1/8 NPT	55,1 [2,17]
02	1/4 NPT	59,3 [2,33]
13	G 1/4 B	59,0 [2,32]
KA	1/4 BSPT	57,0 [2,24]
RW	SAE-4 7/16-20	60,9 [2,40]
41	M14 X 1.5	60,0 [2,36]
EJ	#4JIC	57,7 [2,27]


63mm center back connect - front flange

Connection Code	Pressure Connection	Depth
01	1/8 NPT	55,1 [2,17]
02	1/4 NPT	59,3 [2,33]
13	G 1/4 B	59,0 [2,32]
KA	1/4 BSPT	57,0 [2,24]
RW	SAE-4 7/16-20	60,9 [2,40]
41	M14 X 1.5	60,0 [2,36]
EJ	#4JIC	57,7 [2,27]

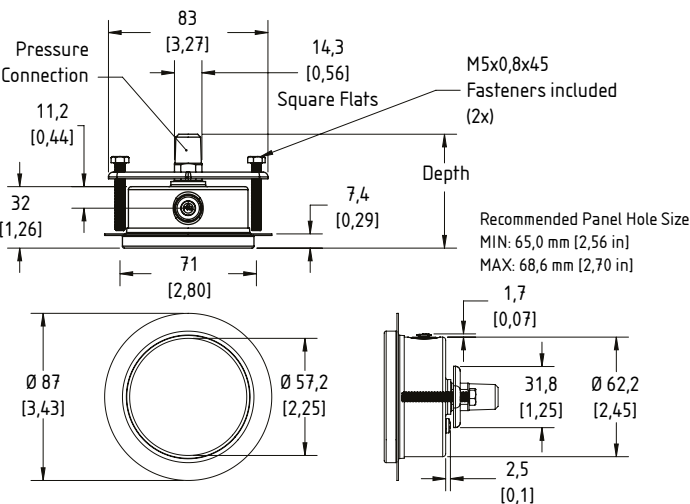
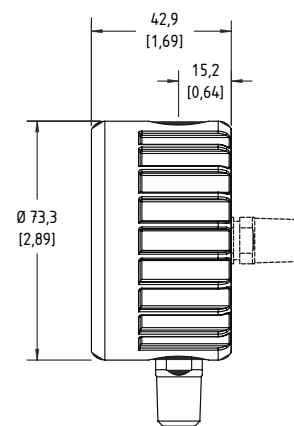


8008A Pressure Gauge
GENERAL DIMENSION in [] are inches

For reference only, consult Ashcroft for specific dimensional drawings

63mm center back connect - U clamp with trim ring

Connection Code	Pressure Connection	Depth
01	1/8 NPT	55.1 [2.17]
02	1/4 NPT	59.3 [2.33]
13	G1/4 B	59.0 [2.32]
KA	1/4 BSPT	57.0 [2.24]
RW	SAE-4 7/16-20	60.9 [2.40]
41	M14 X 1.5	60.0 [2.36]
EJ	#4JIC	57.7 [2.27]


63mm lower, center back connect - rubber boot

TABLE 2 - OPTIONS - CONTINUED

AR	Adjustable red indicator and min/max drag pointer (63 mm dry gauge only)
BM	Black primary and secondary dial scales on white background
CR	Custom individual carton label information
RM	Black primary and red secondary dial scales on white background
WP	Omit restrictor (throttle plug)
ZO	Bulk packaging
ZP	Customer part number and description on Ashcroft label
ZQ	Customer part number only on label (no Ashcroft)
ZW	Customer part number and gauge description on label (no Ashcroft)
B1	Black protective boot (63 mm only)
S2	Safety pattern gauge without baffle wall: designed by S2 per EN837-1 (only available on 63mm gauge having a polycarbonate window)
T4	0,02 mm (0,007") Orifice Restrictor
T7	0,05 mm (0,020") Orifice Restrictor
T8	0,08 mm (0,031") Orifice Restrictor
T9	0,16 mm (0,063") Orifice Restrictor
99	Serial number on dial

