

## All Welded Flanged Diaphragm Seal Model DF Series

with flange according to EN 1092-1 or ASME B16.5 or API 6A

### FEATURES

- All-welded compact design with high volumetric displacement and minimized fill volume
- High variety of wetted parts materials and special materials
- Suitable for pressure gauges, switches and transmitters
- Flush mounted diaphragm seal prevents clogging
- Engineered to minimize the use of expensive wetted materials
- Continuous-duty construction
- Available with a wide range of wetted materials

### TYPICAL USES

- Oil and gas
- Refineries (Hydrofluoric / Sulfuric Alkylation)
- Chemical and petrochemical
- Water and wastewater
- Oil and gas fracking
- NACE Compliant processes (sour gas separation)
- Biogas and biodiesel



SEAL DF

### SPECIFICATIONS

Connection Style:	Flanged
Process Connection Size:	Flange according to EN 1092-1 DN25, DN40, DN50, DN80, DN100, DN125 Flange according to ASME B16.5 1", 1-1/2", 2", 3", 4" Flange according to API 6A 2-1/16", 2-9/16", 3-1/8", 1-13/16", 2-1/16", 2-9/16", 3-1/16" others of request
Flange Style:	EN 1092-1 Raised face B; others on request ASME B16.5 Flat face, Raised face, Ring joint API 6A Type 6B or Type 6BX
Instrument Connection Size:	G 1/4 or G 1/2 Female 1/4 NPT or 1/2 NPT Female Welding port (8 mm) for capillary line system others available on request
Flange Rating:	EN 1092-1 PN2,5 up to PN100 ASME B16.5 CL150 up to CL2500 API 6A 2000, 3000, 5000, 10000, 15000 or 20000 psi
Added Tolerance:	± 0,5% typical
Fill Fluid:	Silicone, Halocarbon®, Syltherm® others available on request
Approvals:	NACE for Oilfields MR0175/ISO 15156 and Refineries MR0103/ISO17945 Suitable for use in potentially explosive atmospheres with operators ignition risk analysis

### KEY BENEFITS

- Compact design eliminates need for lower housing
- Protects process and instrumentation with materials to fit your application

### WETTED COMPONENTS

Diaphragm Materials:	Stainless steel 316L (1.4404) Stainless steel 904L (1.4539/Uranus 6B) Hastelloy® C-276 (2.4819) Inconel® 825 (2.4858) Inconel® 625 (2.4856) Monel® 400 (2.4360) Tantalum Duplex 2205 (1.4462)
----------------------	--

Coatings:	Halar PFA PTFE (Teflon®) Gold plated
-----------	---

Flange Materials:	Hastelloy® C-276 (2.4819) Stainless steel 316L (1.4404) Duplex 2205 (1.4462)
-------------------	--

### NON WETTED COMPONENTS

Instrument Connection:	Stainless steel 316L (1.4404)
------------------------	-------------------------------

## All Welded Flanged Diaphragm Seal Model DF Series

ORDERING CODE	EXAMPLE:	DN50	DF_EN	S	S	51T	PN40	B1	CK	XC3										
<b>Connection Size</b>																				
<b>EN 1092-1</b>																				
DN25	Flange size DN25	DN50																		
DN40	Flange size DN40																			
DN50	Flange size DN50																			
DN80	Flange size DN80																			
DN100	Flange size DN100																			
DN125	Flange size DN125																			
<b>ASME B16.5</b>																				
10	Flange size 1"																			
15	Flange size 1-1/2"																			
20	Flange size 2"																			
30	Flange size 3"																			
40	Flange size 4"																			
<b>API 6A</b>																				
113	Flange size 1-13/16"																			
201	Flange size 2-1/16"																			
209	Flange size 2-9/16"																			
301	Flange size 3-1/16"																			
302	Flange size 3-1/8"																			
<b>Model</b>																				
DF_EN	All welded flush flanged diaphragm seal; EN-Style	DF_EN																		
DF_ASME	All welded flush flanged diaphragm seal; ASME-Style																			
DF_API	All welded flush flanged diaphragm seal; API-Style																			
<b>Diaphragm Material</b>																				
F	Stainless steel 904L (1.4539)																			
H	Hastelloy® C-276 (2.4819)																			
H-H	Hastelloy® C-276 (2.4819); Halar coated																			
H-PA	Hastelloy® C-276 (2.4819); PFA coated																			
H-TC	Hastelloy® C-276 (2.4819); PTFE (Teflon®) coated																			
L	Inconel® 825 (2.4858)																			
M	Inconel® 625 (2.4856)																			
P	Monel® 400 (2.4360)																			
S	Stainless steel 316L (1.4404)										S									
S-H	Stainless steel 316L (1.4404); Halar coated																			
S-PA	Stainless steel 316L (1.4404); PFA coated																			
S-TC	Stainless steel 316L (1.4404); PTFE (Teflon®) coated																			
W	Stainless steel 316L (1.4404); Gold plating 24 µm [24 Karat (=99,99%)]																			
U	Tantalum																			
U-TC	Tantalum; PTFE (Teflon®) coated																			
Z	Duplex 2205 (1.4462)																			
<b>Flange Material</b>																				
H	Hastelloy® C-276 (2.4819)																			
S	Stainless steel 316L (1.4404)																			S
Z	Duplex 2205 (1.4462)																			
<b>Instrument Connection</b>																				
00T	Welding port for capillary line system (8 mm)																			
00R	Welding port for capillary line system (8 mm); Radial on flange																			
02T	1/4 NPT Female																			
04T	1/2 NPT Female																			
26T	G 1/4 Female																			
51T	G 1/2 Female										51T									



## All Welded Flanged Diaphragm Seal Model DF Series

**ORDERING CODE**      **EXAMPLE:** DN50 DF\_EN S S 51T PN40 B1 CK XC3

**Flange Rating**
**EN 1092-1**

PN10	Flange rating PN10
PN16	Flange rating PN16
PN25	Flange rating PN25
PN40	Flange rating PN40
PN63	Flange rating PN63
PN100	Flange rating PN100

**ASME B16.5**

150	Flange rating class 150
300	Flange rating class 300
600	Flange rating class 600
900	Flange rating class 900
1500	Flange rating class 1500
2500	Flange rating class 2500

**API 6A**

2000	Flange rating 2000 psi / 13,8 MPa
3000	Flange rating 3000 psi / 20,7 MPa
5000	Flange rating 5000 psi / 34,5 MPa
10000	Flange rating 10000 psi / 69,0 MPa
15000	Flange rating 15000 psi / 103,5 MPa
20000	Flange rating 20000 psi / 138,0 MPa

**Flange Style**
**EN 1092-1**

B1	Raised face Form B1
----	---------------------

**ASME B16.5**

FF	Flat Face
RF	Raised Face
RTJ	Ring Joint

**API 6A**

6B	Type 6B (≤ 5.000 psi flange rating)
6BX	Type 6BX (≥ 10.000 psi flange rating)

others on request

**System Filling**

			<b>Max. Allowable Process Temperature:</b>		<b>Application:</b>
CC	Syltherm® XLT		-100 to 260 °C	-150 to 500 °F	Low temperature
CF	Halocarbon® 4.2		-57 to 200 °C	-70 to 300 °F	Inert/Oxygen
CG	Glycerine	(1) (3)	-18 to 204 °C	0 to 400 °F	Food
CK	Silicone 50 cSt	(2)	-40 to 260 °C	-40 to 500 °F	General purpose
DJ	Silicone 10 cSt		-40 to 260 °C	-40 to 500 °F	Fast response time
FJ	Distilled water	(1)	4 to 85 °C	40 to 185 °F	Food & Beverage
GQ	White oil silicone free		-12 to 204 °C	10 to 400 °F	Food, Painting
HA	Syltherm® 800		-40 to 400 °C	-40 to 750 °F	High temperature
HO	Halocarbon® 6.3S		-57 to 200 °C	-70 to 300 °F	Inert/Oxygen
KG	Silicone 704		0 to 300 °C	32 to 572 °F	High temperature & vacuum
KJ	Silicone 705		20 to 215 °C	68 to 420 °F	High vacuum
NM	Neobee® M-20		-15 to 204 °C	5 to 400 °F	Food & Pharma

(1) Not available for compound or vacuum pressure applications

(2) Only suitable for capillary systems ≤ 3 m (10ft)

(3) Only suitable for direct mounted systems





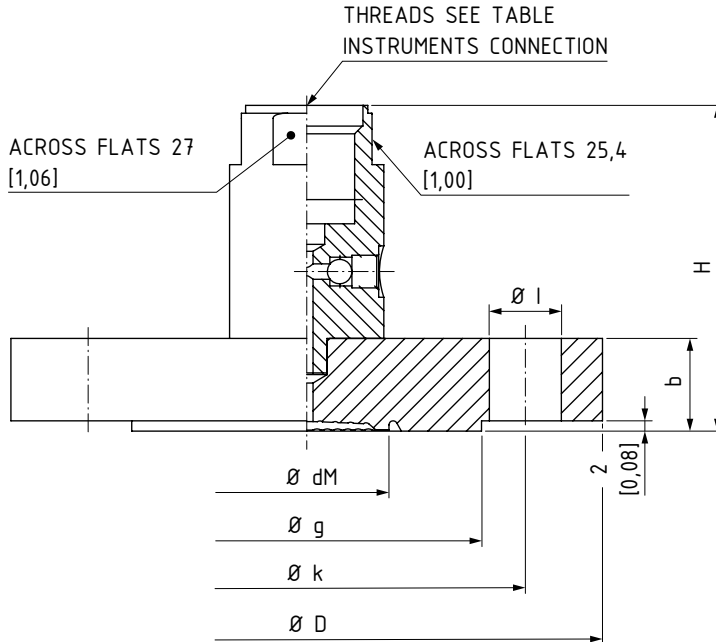
## Flush type flanged diaphragm seal

### Model DF EN

according to EN 1092-1

**DIMENSIONS IN MM [INCH]**

For reference only, consult Ashcroft for specific dimensional drawings



Size DN	PRESSURE RATING	$\varnothing D$	b	$\varnothing g$	$\varnothing dM$	$\varnothing k$	$\varnothing I$	H	WEIGHT KG
DN25	PN2,5 - PN6	100 [3,94]	14 [0,55]	60 [2,36]	32 [1,26]	75 [2,95]	11 x 4 [0,43]	58 [2,25]	1
	PN10 - PN40	115 [4,53]	18 [0,71]	68 [2,68]		85 [3,35]	14 x 4 [0,55]	62 [2,44]	1,5
	PN63 - PN100	140 [5,51]	24 [0,94]			100 [3,94]	18 x 4 [0,71]	68 [2,68]	3
DN40	PN2,5 - PN6	130 [5,12]	14 [0,55]	80 [3,15]	44 [1,73]	100 [3,94]	14 x 4 [0,55]	58 [2,28]	1,5
	PN10 - PN40	150 [5,91]	18 [0,71]	88 [3,46]		110 [4,33]	18 x 4 [0,71]	62 [2,44]	2,5
	PN63 - PN100	170 [6,69]	26 [1,02]			125 [4,92]	22 x 4 [0,87]	70 [2,76]	4
DN50	PN2,5 - PN6	140 [5,51]	14 [0,55]	90 [3,54]	57 [2,24]	110 [4,33]	14 x 4 [0,55]	58 [2,28]	2
	PN10 - PN16	165 [6,5]	18 [0,71]	102 [4,02]		125 [4,92]	18 x 4 [0,71]	62 [2,44]	3
	PN25 - PN40		20 [0,79]				64 [2,52]	3,5	
	PN63	180 [7,09]	26 [1,02]			135 [5,31]	22 x 4 [0,87]	70 [2,76]	5
	PN100	195 [7,68]	28 [1,1]			145 [5,71]	26 x 4 [1,02]	72 [2,83]	6
DN80	PN2,5 - PN6	190 [7,48]	16 [0,63]	128 [5,04]	88 [3,46]	150 [5,91]	18 x 4 [0,71]	60 [2,36]	3,5
	PN10 - PN16	200 [7,87]	20 [0,79]	138 [5,43]		160 [6,3]	18 x 8 [0,71]	64 [2,52]	5
	PN25 - PN40		24 [0,94]					68 [2,68]	6
	PN63	215 [8,46]	28 [1,1]			170 [6,69]	22 x 8 [0,87]	72 [2,83]	7
	PN100	230 [9,06]	32 [1,26]			180 [7,09]	26 x 8 [1,02]	76 [2,99]	9
DN100	PN2,5 - PN6	210 [8,27]	16 [0,63]	148 [5,83]	88 [3,46]	170 [6,69]	18 x 4 [0,71]	60 [2,36]	4,5
	PN10 - PN16	220 [8,66]	20 [0,79]	158 [6,22]		180 [7,09]	18 x 8 [0,71]	64 [2,52]	6
	PN25 - PN40	235 [9,25]	24 [0,94]	162 [6,38]		190 [7,48]	22 x 8 [0,87]	68 [2,68]	8
	PN63	250 [9,84]	30 [1,18]	162 [6,38]		200 [7,87]	26 x 8 [1,02]	74 [2,91]	10,5
	PN100	265 [10,43]	36 [1,42]				210 [8,27]	30 x 8 [1,18]	80 [3,15]
DN125	PN2,5 - PN6	240 [9,45]	18 [0,71]	178 [7,01]	188 [7,4]	200 [7,87]	18 x 8 [0,71]	62 [2,44]	6,5
	PN10 - PN16	250 [9,84]	22 [0,87]			210 [8,27]			66 [2,6]
	PN25 - PN40	270 [10,63]	26 [1,02]			220 [8,66]	26 x 8 [1,02]	70 [2,76]	11
	PN63	295 [11,61]	34 [1,34]			240 [9,45]	30 x 8 [1,18]	78 [3,07]	16
	PN100	315 [12,4]	40 [1,57]			250 [9,84]	33 x 8 [1,3]	84 [3,31]	21,5



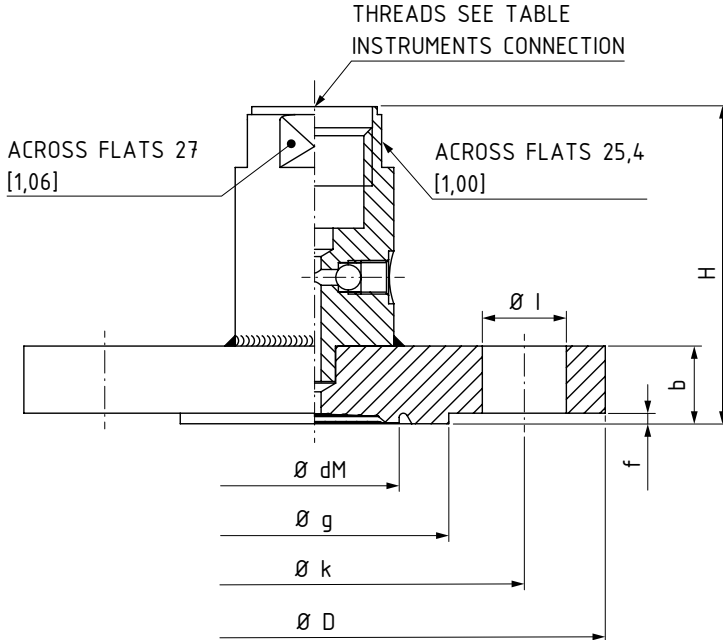
# Flush type flanged diaphragm seal

## Model DF ASME Type Raised face "RF"

according to ASME B16.5

**DIMENSIONS IN MM [INCH]**

For reference only, consult Ashcroft for specific dimensional drawings



Size DN	PRESSURE CLASSES	$\varnothing D$	b	$\varnothing g$	$\varnothing dM$	f	$\varnothing k$	$\varnothing I$	H	WEIGHT KG
1"	150	110 [4,33]	12,7 [0,5]	50,8 [2]	32 [1,26]	2 [0,08]	79,4 [3,13]	15,9 x 4 [0,63]	58,2 [2,29]	1
	300	125 [4,92]	15,9 [0,63]				88,9 [3,5]	19,1 x 4 [0,75]	61,4 [2,42]	1,5
	400/600	150 [5,91]	17,5 [0,69]			101,6 [4]	25,4 x 4 [1]	68 [2,68]	2	
	900/1500	160 [6,3]	28,6 [1,13]			108 [4,25]	79,1 [3,11]	4		
	2500	150 [5,91]	35 [1,38]			108 [4,25]	85,5 [3,37]	5		
1 1/2"	150	125 [4,92]	15,9 [0,63]	73 [2,87]	44 [1,73]	2 [0,08]	98,4 [3,87]	15,9 x 4 [0,63]	61,4 [2,42]	2
	300	155 [6,1]	19,1 [0,75]				114,3 [4,5]	22,2 x 4 [0,87]	64,6 [2,54]	3
	400/600	180 [7,09]	22,3 [0,88]			123,8 [4,87]	28,6 x 4 [1,13]	72,8 [2,87]	3,5	
	900/1500	205 [8,07]	31,8 [1,25]			146 [5,75]	31,8 x 4 [1,25]	95 [3,74]	6	
	2500	205 [8,07]	44,5 [1,75]			171,4 [6,75]	28,6 x 8 [1,13]	101,4 [3,99]	16	
2"	150	150 [5,91]	17,5 [0,69]	92,1 [3,63]	57 [2,24]	2 [0,08]	120,7 [4,75]	19,1 x 4 [0,75]	63 [2,48]	2,5
	300	165 [6,5]	20,7 [0,81]				127 [5]	19,1 x 8 [0,75]	66,5 [2,62]	3,5
	400/600	215 [8,46]	25,4 [1]			165,1 [6,5]	25,4 x 8 [1]	75,9 [2,99]	4,5	
	900/1500	235 [9,25]	38,1 [1,5]			171,4 [6,75]	28,6 x 8 [1,13]	101,4 [3,99]	16	
	2500	235 [9,25]	50,9 [2]			171,4 [6,75]	28,6 x 8 [1,13]	101,4 [3,99]	16	
3"	150	190 [7,48]	22,3 [0,88]	127 [5]	88 [3,46]	2 [0,08]	152,4 [6]	19,1 x 4 [0,75]	67,8 [2,67]	5,5
	300	210 [8,27]	27 [1,06]				168,3 [6,63]	22,2 x 8 [0,87]	72,5 [2,85]	7
	400/600	240 [9,45]	31,8 [1,25]			190,5 [7,5]	25,4 x 8 [1]	82,5 [3,25]	9	
	900	265 [10,43]	38,1 [1,5]			203,2 [8]	31,8 x 8 [1,25]	98,5 [3,88]	19,5	
	1500	305 [12,01]	47,7 [1,88]			228,6 [9]	34,9 x 8 [1,37]	117,2 [4,61]	35	
	2500	305 [12,01]	66,7 [2,63]			228,6 [9]	34,9 x 8 [1,37]	117,2 [4,61]	35	
4"	150	230 [9,06]	22,3 [0,88]	157,2 [6,19]	88 [3,46]	2 [0,08]	190,5 [7,5]	19,1 x 8 [0,75]	67,8 [2,67]	7,5
	300	255 [10,04]	30,2 [1,19]				200 [7,87]	22,2 x 8 [0,87]	75,7 [2,98]	12
	400	275 [10,83]	35 [1,38]			215,9 [8,5]	25,4 x 8 [1]	85,5 [3,37]	14	
	600	290 [11,42]	38,1 [1,5]			235 [9,25]	31,8 x 8 [1,25]	95 [3,74]	27,5	
	900	310 [12,2]	44,5 [1,75]			241,3 [9,5]	34,9 x 8 [1,37]	104,5 [4,11]	30	
	1500	310 [12,2]	54 [2,13]			273 [10,75]	41,3 x 8 [1,63]	126,7 [4,99]	54	
	2500	355 [13,98]	76,2 [3]			273 [10,75]	41,3 x 8 [1,63]	126,7 [4,99]	54	





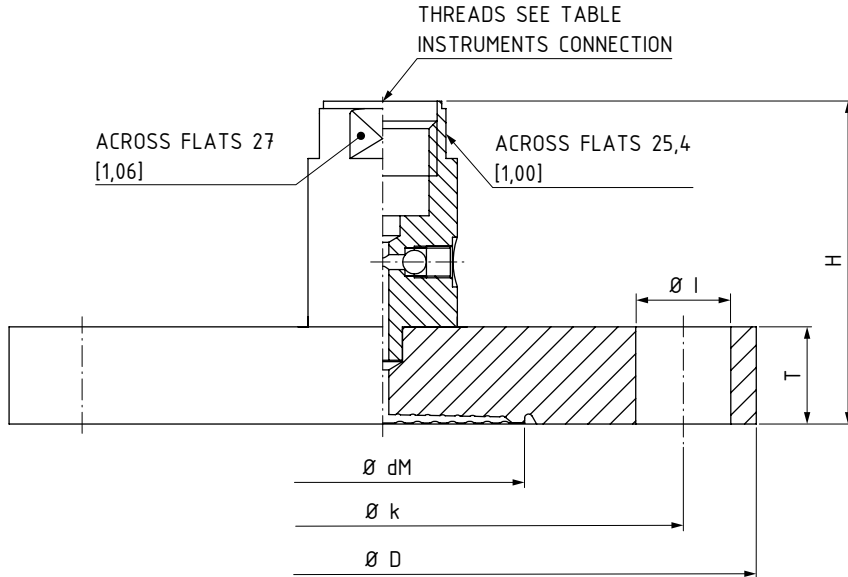
# Flush type flanged diaphragm seal

## Model DF ASME Type Flat face "FF"

according to ASME B16.5

**DIMENSIONS IN MM [INCH]**

For reference only, consult Ashcroft for specific dimensional drawings



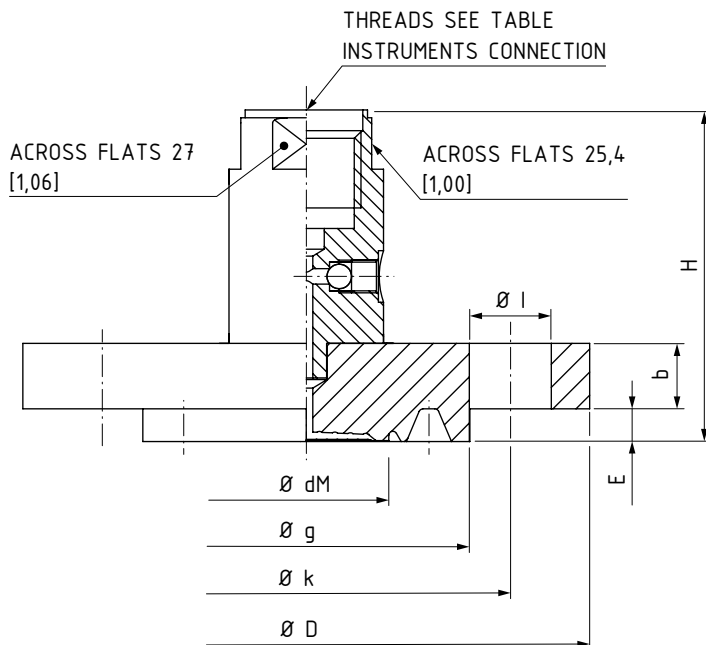
Size DN	PRESSURE CLASSES	$\varnothing D$	b	$\varnothing dM$	$\varnothing k$	$\varnothing l$	H	WEIGHT KG	
1"	150	110 [4,33]	14,7 [0,58]	32 [1,26]	79,4 [3,13]	15,9 x 4 [0,63]	58,2 [2,29]	1,2	
	300	125 [4,92]	17,9 [0,71]		88,9 [3,5]	19,1 x 4 [0,75]	61,4 [2,42]	1,8	
	400/600		24,5 [0,97]		25,4 x 4 [1]		68 [2,68]	2,4	
	900/1500	150 [5,91]	35,6 [1,4]			101,6 [4]	79,1 [3,11]	4,7	
	2500	160 [6,3]	42 [1,65]			108 [4,25]	85,5 [3,37]	7,0	
1 1/2"	150	125 [4,92]	17,9 [0,71]	44 [1,73]	98,4 [3,87]	15,9 x 4 [0,63]	61,4 [2,42]	1,8	
	300	155 [6,1]	21,1 [0,83]		114,3 [4,5]	22,2 x 4 [0,87]	64,6 [2,54]	3,1	
	400/600		29,3 [1,15]		28,6 x 4 [1,13]		72,8 [2,87]	4,3	
	900/1500	180 [7,09]	38,8 [1,53]			123,8 [4,87]	82,3 [3,24]	7,3	
	2500	205 [8,07]	51,5 [2,03]			146 [5,75]	95 [3,74]	12,5	
2"	150	150 [5,91]	19,5 [0,77]	57 [2,24]	120,7 [4,75]	19,1 x 4 [0,75]	63 [2,48]	2,8	
	300	165 [6,5]	22,7 [0,89]		127 [5]	19,1 x 8 [0,75]	66,5 [2,62]	3,7	
	400/600		32,4 [1,28]				75,9 [2,99]	5,1	
	900/1500	215 [8,46]	45,1 [1,78]		165,1 [6,5]	25,4 x 8 [1]	88,6 [3,49]	11,8	
	2500	235 [9,25]	57,9 [2,28]		171,4 [6,75]	28,6 x 8 [1,13]	101,4 [3,99]	17,9	
3"	150	190 [7,48]	24,3 [0,96]	88 [3,46]	152,4 [6]	19,1 x 4 [0,75]	67,8 [2,67]	5,5	
	300	210 [8,27]	29 [1,14]		168,3 [6,63]	22,2 x 8 [0,87]	72,5 [2,85]	7,5	
	400/600		38,8 [1,53]				82,5 [3,25]	10,0	
	900	240 [9,45]	45,1 [1,78]		190,5 [7,5]	25,4 x 8 [1]	88,6 [3,49]	15,1	
	1500	265 [10,43]	54,7 [2,15]		203,2 [8]	31,8 x 8 [1,25]	98,5 [3,88]	21,6	
	2500	305 [12,01]	73,7 [2,9]		228,6 [9]	34,9 x 8 [1,37]	117,2 [4,61]	38,8	
4"	150	230 [9,06]	24,3 [0,96]	88 [3,46]	190,5 [7,5]	19,1 x 8 [0,75]	67,8 [2,67]	7,8	
	300	255 [10,04]	32,2 [1,27]		200 [7,87]	22,2 x 8 [0,87]	75,7 [2,98]	12,6	
	400		42 [1,65]				25,4 x 8 [1]	85,5 [3,37]	16,3
	600	275 [10,83]	45,1 [1,78]		215,9 [8,5]	31,8 x 8 [1,25]		88,6 [3,49]	21,6
	900	290 [11,42]	51,5 [2,03]		235 [9,25]	34,9 x 8 [1,37]		95 [3,74]	24,8
	1500	310 [12,2]	61 [2,4]		241,3 [9,5]	34,9 x 8 [1,37]	104,5 [4,11]	33,3	
	2500	355 [13,98]	83,2 [3,28]		273 [10,75]	41,3 x 8 [1,63]	126,7 [4,99]	58,9	



## Flush type flanged diaphragm seal Model DF ASME Ring type joint "RTJ" according to ASME B16.5

**DIMENSIONS IN MM [INCH]**

For reference only, consult Ashcroft for specific dimensional drawings



SIZE DN	PRESSURE CLASSES	$\varnothing D$	b	$\varnothing g$	$\varnothing dM$	E	$\varnothing k$	$\varnothing I$	H	GROOVE NUMBER	WEIGHT KG	
1"	150	110 [4,33]	12,7 [0,5]	63,5 [2,5]	32 [1,26]	6,4 [0,25]	79,4 [3,13]	15,9 x 4 [0,63]	62,9 [2,48]	15	1,0	
	300	125 [4,92]	15,9 [0,63]	70 [2,76]		6,4 [0,25]	88,9 [3,5]	19,1 x 4 [0,75]	66,1 [2,6]		1,6	
	400/600	125 [4,92]	17,5 [0,69]	70 [2,76]		6,4 [0,25]	88,9 [3,5]	19,1 x 4 [0,75]	67,7 [2,67]	16	1,7	
	900/1500	150 [5,91]	28,6 [1,13]	71,5 [2,81]		6,4 [0,25]	101,6 [4]	25,4 x 4 [1]	78,8 [3,1]		3,7	
	2500	160 [6,3]	35 [1,38]	82,5 [3,25]		6,4 [0,25]	108 [4,25]	25,4 x 4 [1]	85,2 [3,35]		18	5,2
1 1/2"	150	125 [4,92]	15,9 [0,63]	82,5 [3,25]	44 [1,73]	6,4 [0,25]	98,4 [3,87]	15,9 x 4 [0,63]	66,1 [2,6]	19	1,6	
	300	155 [6,1]	19,1 [0,75]	90,5 [3,56]		6,4 [0,25]	114,3 [4,5]	22,2 x 4 [0,87]	69,3 [2,73]		2,8	
	400/600	155 [6,1]	22,3 [0,88]	90,5 [3,56]		6,4 [0,25]	114,3 [4,5]	22,2 x 4 [0,87]	72,5 [2,85]	20	3,2	
	900/1500	180 [7,09]	31,8 [1,25]	92 [3,62]		6,4 [0,25]	123,8 [4,87]	28,6 x 4 [1,13]	82 [3,23]		6,0	
	2500	205 [8,07]	44,5 [1,75]	114 [4,49]		7,9 [0,31]	146 [5,75]	31,8 x 4 [1,25]	96,2 [3,79]		23	10,7
2"	150	150 [5,91]	17,5 [0,69]	102 [4,02]	57 [2,24]	6,4 [0,25]	120,7 [4,75]	19,1 x 4 [0,75]	67,7 [2,67]	22	2,4	
	300	165 [6,5]	20,7 [0,81]	108 [4,25]		7,9 [0,31]	127 [5]	19,1 x 8 [0,75]	72,4 [2,85]		23	3,2
	400/600	165 [6,5]	25,4 [1]	108 [4,25]		7,9 [0,31]	127 [5]	19,1 x 8 [0,75]	77,1 [3,04]	3,9		
	900/1500	215 [8,46]	38,1 [1,5]	124 [4,88]		7,9 [0,31]	165,1 [6,5]	25,4 x 8 [1]	89,8 [3,54]	24		9,9
	2500	235 [9,25]	50,9 [2]	133 [5,24]		7,9 [0,31]	171,4 [6,75]	28,6 x 8 [1,13]	102,6 [4,04]	26	15,6	
3"	150	190 [7,48]	22,3 [0,88]	133 [5,24]	88 [3,46]	6,4 [0,25]	152,4 [6]	19,1 x 4 [0,75]	72,5 [2,85]	29	4,9	
	300	210 [8,27]	27 [1,06]	146 [5,75]		7,9 [0,31]	168,3 [6,63]	22,2 x 8 [0,87]	78,7 [3,1]		31	6,8
	400/600	210 [8,27]	31,8 [1,25]	146 [5,75]		7,9 [0,31]	168,3 [6,63]	22,2 x 8 [0,87]	83,5 [3,29]	8,0		
	900	240 [9,45]	38,1 [1,5]	156 [6,14]		7,9 [0,31]	190,5 [7,5]	25,4 x 8 [1]	89,8 [3,54]	12,5		
	1500	265 [10,43]	47,7 [1,88]	168 [6,61]		7,9 [0,31]	203,2 [8]	31,8 x 8 [1,25]	99,4 [3,91]	35		18,6
	2500	305 [12,01]	66,7 [2,63]	168 [6,61]		9,5 [0,37]	228,6 [9]	34,9 x 8 [1,37]	120 [4,72]	32	34,8	
4"	150	230 [9,06]	22,3 [0,88]	171 [6,73]	88 [3,46]	6,4 [0,25]	190,5 [7,5]	19,1 x 8 [0,75]	72,5 [2,85]	36	7,1	
	300	255 [10,04]	30,2 [1,19]	175 [6,89]		7,9 [0,31]	200 [7,87]	22,2 x 8 [0,87]	81,9 [3,22]		37	11,5
	400	255 [10,04]	35 [1,38]	175 [6,89]		7,9 [0,31]	200 [7,87]	25,4 x 8 [1]	86,7 [3,41]	13,1		
	600	275 [10,83]	38,1 [1,5]	175 [6,89]		7,9 [0,31]	215,9 [8,5]	25,4 x 8 [1]	89,8 [3,54]	16,8		
	900	290 [11,42]	44,5 [1,75]	181 [7,13]		7,9 [0,31]	235 [9,25]	31,8 x 8 [1,25]	96,2 [3,79]	21,2		
	1500	310 [12,2]	54 [2,13]	194 [7,64]		7,9 [0,31]	241,3 [9,5]	34,9 x 8 [1,37]	105,7 [4,16]	39		29,2
	2500	355 [13,98]	76,2 [3]	203 [7,99]		11,1 [0,44]	273 [10,75]	41,3 x 8 [1,63]	131,1 [5,16]	38		53,5





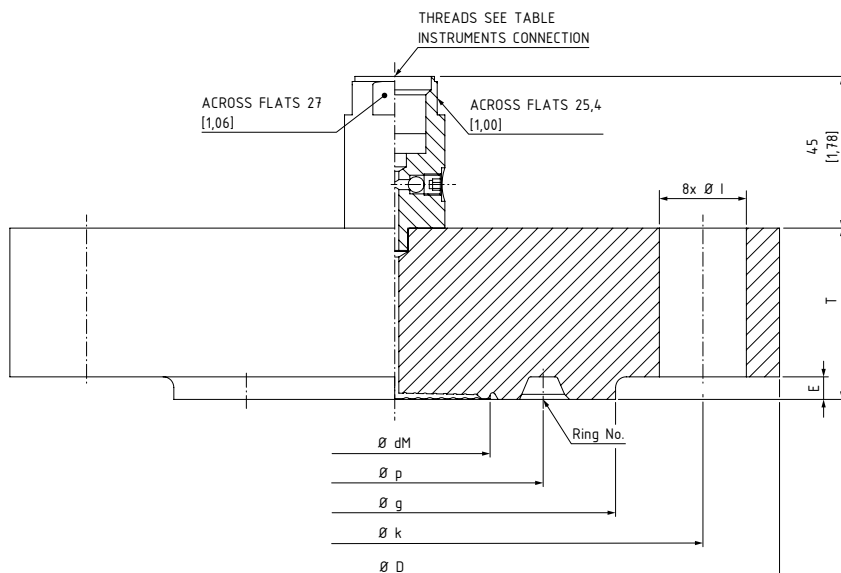
# Flush type flanged diaphragm seal

## Model DF API

according to API 6A

**DIMENSIONS IN MM [INCH]**

For reference only, consult Ashcroft for specific dimensional drawings



	Size	Rating	Ø D	T	Ø g	E	Ø k	Ø l	Ø dM	Ø p	Ring No. R or RX	WEIGHT KG	
6B	2-1/16"	13,8 MPa (2000 psi)	165 [6,5]	33,4 [1,31]	108 [4,25]	7,9 [0,31]	127 [5]	20 [0,79]	44 [1,73]	82,6 [3,25]	23	5,8	
		20,7 MPa (3000 psi)	215 [8,46]	46,1 [1,81]	124 [4,88]		165,1 [6,5]	26 [1,02]		95,3 [3,75]	24	12,8	
		34,5 MPa (5000 psi)					101,6 [4]	26		8,3			
	2-9/16"	13,8 MPa (2000 psi)	190 [7,48]	36,6 [1,44]	127 [5]		149,2 [5,87]	23 [0,91]	57 [2,24]	101,6 [4]	26	8,3	
		20,7 MPa (3000 psi)	245 [9,65]	49,3 [1,94]	137 [5,39]		190,5 [7,5]	29 [1,14]		108 [4,25]	27	17,6	
		34,5 MPa (5000 psi)					123,8 [4,87]	31		11,2			
	3-1/8"	13,8 MPa (2000 psi)	210 [8,27]	39,7 [1,56]	146 [5,75]		168,3 [6,63]	23 [0,91]	57 [2,24]	123,8 [4,87]	31	11,2	
		20,7 MPa (3000 psi)	240 [9,45]	46,1 [1,81]	156 [6,14]		190,5 [7,5]	26 [1,02]		136,5 [5,37]		35	23,3
		34,5 MPa (5000 psi)					203,2 [8]	32 [1,26]					
6BX	1-13/16"	69,0 MPa (10000 psi)	185 [7,28]	42,1 [1,66]	105 [4,13]	5,5 [0,22]	146,1 [5,75]	23 [0,91]	44 [1,73]	65,9 [2,59]	23	8,5	
		103,5 MPa (15000 psi)	210 [8,27]	45,3 [1,78]	106 [4,17]		160,3 [6,31]	26 [1,02]			24	11,6	
		138,0 MPa (20000 psi)					203,2 [8]	29 [1,14]			25	23,9	
	2-1/16"	69,0 MPa (10000 psi)	200 [7,87]	44,1 [1,74]	111 [4,37]	5,9 [0,23]	158,8 [6,25]	23 [0,91]	44 [1,73]	73,6 [2,9]	26	10,6	
		103,5 MPa (15000 psi)	220 [8,66]	50,8 [2]	114 [4,49]		174,6 [6,87]	26 [1,02]			27	14,4	
		138,0 MPa (20000 psi)					230,2 [9,06]	32 [1,26]			28	33,7	
	2-9/16"	69,0 MPa (10000 psi)	230 [9,06]	51,2 [2,02]	132 [5,2]	6,7 [0,26]	184,2 [7,25]	26 [1,02]	57 [2,24]	88,7 [3,49]	29	16,2	
		103,5 MPa (15000 psi)	255 [10,04]	57,2 [2,25]	133 [5,24]		200 [7,87]	29 [1,14]			30	21,9	
		138,0 MPa (20000 psi)					261,9 [10,31]	35 [1,38]			31	49	
	3-1/16"	69,0 MPa (10000 psi)	270 [10,63]	58,4 [2,3]	152 [5,98]	7,5 [0,3]	215,9 [8,5]	29 [1,14]	57 [2,24]	103,6 [4,08]	32	25,6	
		103,5 MPa (15000 psi)	290 [11,42]	64,3 [2,53]	154 [6,06]		230,2 [9,06]	32 [1,26]			33	32	
		138,0 MPa (20000 psi)					287,3 [11,31]	39 [1,54]			34	63	

