

PD02 Pressure Snubber

FEATURES

- Brass, stainless steel or special alloy construction
- External pulsation adjustment to meet a variety of applications
- Wetted parts compatible with many processes

TYPICAL USES

- Oil & Gas Industry
 - Upstream: Onshore/offshore production
 - Midstream: Transport, storage and natural gas compression
 - Downstream: Refineries and petrochemical industries
- Chemical Industry
- Power Plants
 - Conventional power plants
 - Flue gas desulfurization plants
- Other Industries
 - Waste incineration plants
 - Seawater desalination plants
 - Steel mills
 - Cement plants



PD02 - Style A
Pressure snubber

SPECIFICATIONS

Process Connection:	1/4 or 1/2 NPT Male G 1/4 B or G 1/2 B Male (EN 837-1) M20x1,5 Male
Instrument Connection:	1/4 or 1/2 NPT Female G 1/4 or 1/2 Female (EN 837-1) M20x1,5 Female
Max. Allowable Working Pressure (MAWP):	Brass: 250 bar 400 bar for G 1/2 or M20x1,5
	Hastelloy [®] C-276 (2.4819) 400 bar
	Inconel [®] 625 (2.4856) 400 bar
	Monel [®] 400 (2.4360) 400 bar
	Duplex (1.4462) 400 bar
	Stainless steel 316L (1.4404) 400 bar
	Stainless steel 316Ti (1.4571) 400 bar 600 bar for 1/4 NPT
Max. Allowable Working Temperature:	120 °C (248 °F)

WETTED COMPONENTS

Part	Material	Style type
Body/Valve stem/ Screw plug	Brass	A
	Stainless steel 316L (1.4404)	A
	Stainless steel 316Ti (1.4571)	A
	Hastelloy [®] C-276 (2.4819)	B
	Inconel [®] 625 (2.4856)	B
	Duplex (1.4462)	B
	Monel [®] 400 (2.4360)	A
O-Ring	FKM	

KEY BENEFITS

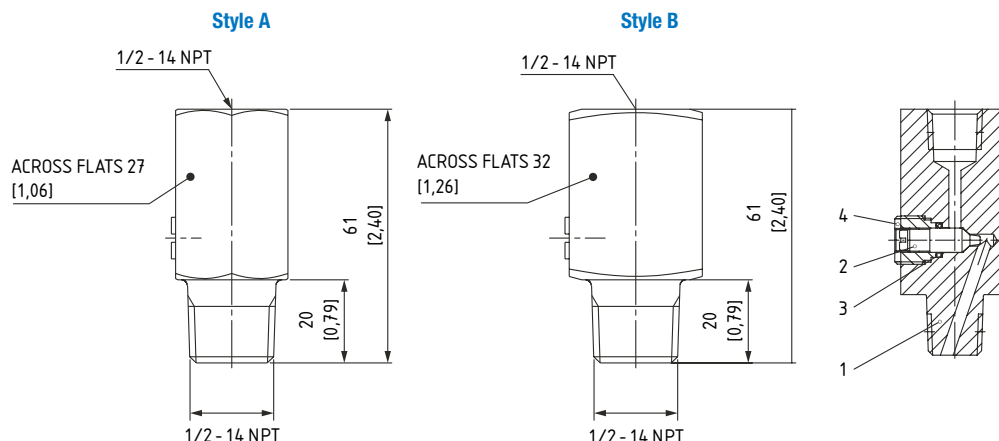
- External adjustment allows for dampening performance to be increased or decreased
- Protects pressure instrument from process pressure pulsation
- Supplied with wetted parts according to NACE MR0175/MR0103 (CD-5 Certificate)
- Material traceability reports available per EN 10204 3.1

PD02 Pressure Snubber

ORDERING CODE		EXAMPLE:	04	PD02	A	SS	50	C3
Process Connection			04					
02	1/4 NPT Male							
04	1/2 NPT Male							
13	G 1/4 B Male							
15	G 1/2 B Male							
16	M20x1,5 Male							
Model				PD02				
PD02	Gauge pressure snubber							
Style					A			
A	Hexagonal body with across flats 27 mm							
B	Square bar stock body with across flats 32 mm (HH, ZZ and MW only)							
Wetted Components Material						SS		
BR	Brass							
HH	Hastelloy® C-276 (2.4819)							
MW	Inconel® 625 (2.4856)							
PM	Monel® 400 (2.4360)							
SS	Stainless steel 316L (1.4404)							
ST	Stainless steel 316Ti (1.4571)							
ZZ	Duplex 2205 (1.4462)							
Instrument Connection							50	
25	1/4 NPT Female							
50	1/2 NPT Female							
27	G 1/4 Female							
51	G 1/2 Female							
88	M20x1,5 Female							
Options (If choosing an option(s) must include a "X")								
Material Origin								
WO	Western Origin of all wetted parts							
Cleaning								
6B	Cleaned for oxygen service							
Marking/Tagging								
NH	Stainless steel tag, wired to body							
Testing/Certificates								
CD2	Material test report according to EN 10204 / 2.2							
C3	Material certificate according to EN 10204 / 3.1 (Body only)							C3
CD5	Certificate according to NACE for Oilfields MR0175 / ISO 15156 and Refineries MR0103 / ISO17945							
MQ	Positive Material Identification (PMI)							

DIMENSIONS IN MM [INCH]

For reference only, consult Ashcroft for specific dimensional drawings



COMPONENTS

Part	Description (Material selection at page 1)
1	Body
2	Valve stem
3	O-ring
4	Screw plug

