

Data Sheet

All stainless steel high pressure process gauge solid front Model T6500W

According to EN837-1 or DIN 16001

FEATURES

- High pressure up to 7000 bar (100,000 psi)
- Solid front all welded stainless steel case
- 100 mm and 160 mm case size
- Weatherproof protection IP66/IP67 (NEMA 4X) rating
- Dry, liquid filled or **PLUS!**™ Performance option

TYPICAL USES

- Water jet based cutting & cleaning
- High pressure chemical & petrochemical applications
- Pressure burst testing



T6500W
100 mm



SPECIFICATIONS

Accuracy:	Class 1; 1 % Full scale for ranges ≤ 5000 bar Class 1.6; 1.6 % Full scale for ranges > 5000 bar
Sizes:	100 mm or 160 mm
Ranges:	0 to 1600 bar up to 7000 bar 0 to 23200 psi up to 100,000 psi and others
Process Connection Location:	Lower
Process Connection Size:	9/16-18 UNF-2B right or left handed thread 9/16-18 UNF-2A LH male (9/16 API type III connection) M16 x 1,5 female G 1/2 B male
Case Style:	Solid front with full rear blowout back
Movement:	Adjustable
Window Material:	Safety glass or polycarbonate
Dial:	Aluminum, white background, black figures and intervals
Pointer:	Aluminum
Weather Protection:	Dry: IP66 and NEMA 4X Liquid filled: IP66/67 and NEMA 4X Hermetically sealed case: IP66/67 and NEMA 4X
Dampening Options:	PLUS! ™ Performance, throttle rod and fill fluids
Mounting:	Stem and surface
Approvals:	CE (Conformité Européenne) EAC (EurAsian Conformity)
Weight:	100 mm: 0,9 kg (dry), 1,2 kg (liquid filled) 160 mm: 1,2 kg (dry), 2,0 kg (liquid filled)

WETTED COMPONENTS

Bourdon Tube	Process Connection	Joints
Inconel 718 (2.4668)	316L (1.4404) St.st. Duplex 2205 (1.4462)	Welded

KEY BENEFITS

- High pressure measuring capacity
- Compliant to DIN 16001
- Customized dial artwork available

NON-WETTED COMPONENTS

Case	Ring	Back Cover
304 (1.4301) St.st.	304 (1.4301) St.st.	304 (1.4301) St.st.
optional: 316L (1.4404) St.st.	optional: 316L (1.4404) St.st.	optional: 316L (1.4404) St.st.

MIN./MAX. TEMPERATURE LIMITS

VERSION	AMBIENT	PROCESS	STORAGE
Dry	-40 °C bis 70 °C (-40 °F bis 158 °F)	-40 °C bis 200 °C (-40 °F bis 392 °F)	-40 °C bis 70 °C (-40 °F bis 158 °F)
PLUS! ™	-40 °C bis 70 °C (-40 °F bis 158 °F)	-40 °C bis 100 °C (-40 °F bis 212 °F)	-40 °C bis 70 °C (-40 °F bis 158 °F)
Glycerine	-7 °C bis 70 °C (19 °F bis 158 °F)	-7 °C bis 70 °C (19 °F bis 158 °F)	-20 °C bis 70 °C (-4 °F bis 158 °F)
Silicone	-40 °C bis 70 °C (-40 °F bis 158 °F)	-40 °C bis 93 °C (-40 °F bis 200 °F)	-40 °C bis 70 °C (-40 °F bis 158 °F)
Halocarbon®	-40 °C bis 70 °C (-40 °F bis 158 °F)	-40 °C bis 93 °C (-40 °F bis 200 °F)	-40 °C bis 70 °C (-40 °F bis 158 °F)

PRESSURE RANGE TABLE

(in bar or kg/cm ²)	(in psi)	
1600	25000	more ranges, engineering units and dual scales on request
2000	30000	
2500	45000	
4000	60000	
5000	80000	
6000		
7000	100000	

All stainless steel high pressure process gauge solid front Model T6500W

ORDERING CODE	EXAMPLE:	100	T6500	W	D	09	L	1600	BR	XC3
Dial Size										
100	100 mm	10								
160	160 mm									
Model										
T6500	Solid front stainless steel pressure gauge		T6500							
Wetted Parts Material										
W	Inconel 718 (2.4668) tube and 316L (1.4404) socket									
WZ	Inconel 718 (2.4668) tube and Duplex 2205 (1.4462) socket			W						
Case Filling										
D	Dry case				D					
L	Liquid filled case									
Process Connection										
09	9/16-18 UNF-2B Aminco right handed					09				
29	9/16-18 UNF-2B Aminco left handed									
RX	9/16-18 UNF-2A LH male (9/16 API type III connection)			PN ≤ 3000 bar						
15	G 1/2 B female (only admissible with wetted parts material WZ)			PN ≤ 2000 bar						
54	M16 x 1,5 female									
Connection Location										
L	Lower						L			
Range										
See table RANGES								10		
Engineering Unit										
BR	Engineering Unit other engineering units available, check range table								BR	
Option (if including an option(s) must include an "X")										
Agency Approval										
EAC	Custom declaration according Eurasian Conformity									
Case Material										
YW	Case and ring material stainless steel 316L									
Case And Ring										
FW	Wall mounting flange									
FX	Front flange tack welded to case									
Connection										
TS	Throttle rod									
TU	Spiral wound throttle plug									
WP	No throttle in dry or liquid filled cases									
Liquid filling										
GQ	White oil									
GR	Glycerine 99,5%									
GV	Silicone									
LJ	Field fillable									
Dial options										
GU	Engineering unit with suffix "g" for "gauge pressure"									
E6	Dial pin at 6" o'clock position									
SS	Special Scale (Information is required by the customer)									
Movement										
LL	PLUS [™] Performance									
NZ	PLUS [™] Performance silicone free (Not for execution L (liquid filled))									
Pointer										
MP	Adjustable micrometer pointer									



**All stainless steel high pressure process gauge solid front
 Model T6500W**

ORDERING CODE	EXAMPLE:	100	T6500	W	D	09	L	1600	BR	XC3
----------------------	-----------------	-----	-------	---	---	----	---	------	----	-----

Option (if including an option(s) must include an "X")

Window

- PD Polycarbonate window
- EP Maximum pointer and polycarbonate window
- EQ Minimum Pointer and polycarbonate window
- SH Red set hand stationary and polycarbonate window
- D3 DuraVis™ Retroreflective Dial (100 mm and dry case only)

Material Origin

- WO Western origin of all wetted parts

Cleaning

- 6W Cleaned "free of oil and grease" (no Oxygen service)
- YF Cleaned silicone free product

Marking And Tagging

- DA Dial marking printed on dial (Information is required by the customer)
- NH Stainless steel tagging wired (Information is required by the customer)
- NH1 Extra large stainless steel tagging, wired (120 x 30 x 1 mm) (Information is required by the customer)

Material Certificate

- CD2 Certificate according to EN 10204 2.2
- C3 Certificate according to EN 10204 3.1 C3
- MQ Positive material certificate (PMI)

Test Certificate

- C4 CD-4 calibration certificate
- C43 CD-4 calibration certificate option according to DIN EN 10204/3.1
- HY Hydrostatic pressure test
- ML Mass spectrometer leak test

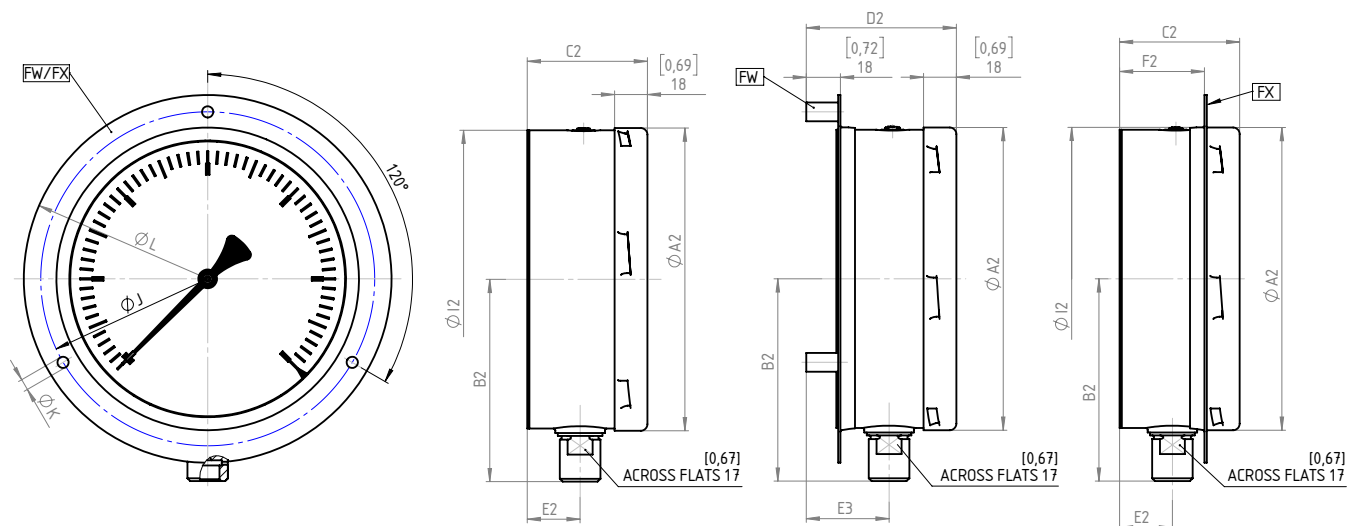


All stainless steel high pressure process gauge solid front Model T6500W

DIMENSIONS IN MM

For reference only, consult Ashcroft for specific dimensional drawings

- Model T6500
- Case option FW & FX


GENERAL DIMENSIONS

NG	A2	B2	C2	D2	E2	E3	F2	I2	J	K	L
100 mm	[3,97]	[3,06]	[2,38]	[2,91]	[1,02]	[1,55]	[1,63]	[4,00]	[4,65]	[0,24]	[5,20]
	101	78	61	74	26	39	42	102	118	6	132
160 mm	[6,35]	[4,24]	[2,52]	[3,15]	[1,11]	[1,74]	[1,78]	[6,36]	[7,01]	[0,24]	[7,72]
	161	108	64	80	28	44	45	162	178	6	196

