

Data Sheet

Direct and Remote Mount 3-Valve Manifolds - V02 Series

FEATURES

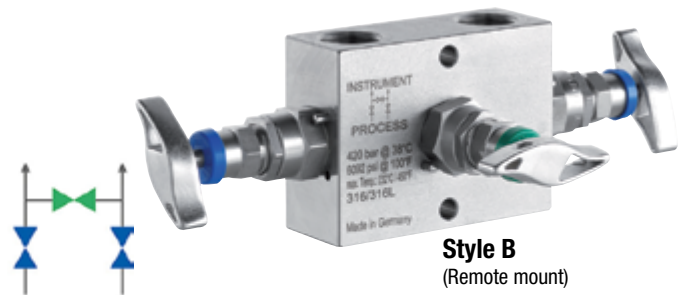
- 3-valve manifolds Isolates each port and equalizes pressure for instrument maintenance
- Stainless Steel 316L (1.4404) construction
- Support mounting brackets available

TYPICAL USES

- Oil & Gas Industry
 - Upstream: Onshore/offshore production
 - Midstream: Transport, storage and natural gas compression
 - Downstream: Refineries and petrochemical industries
- Chemical Industry
- Power Plants
 - Conventional power plants
 - Flue gas desulfurization plants
- Other Industries
 - Waste incineration plants
 - Seawater desalination plants
 - Steel mills
 - Cement plants



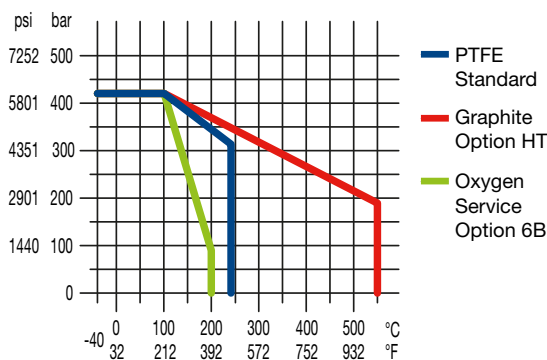
Style A
(Direct mount)



Style B
(Remote mount)

SPECIFICATIONS

Process Connection:	1/2 NPT female
Instrument Connection:	Direct Mount: IEC / DIN EN 61518 Type A Remote Mount: 1/2 NPT female
Construction:	Stainless Steel 316L (1.4404) Monel 400 (2.4360) Hastelloy C-276 (2.4819) others on request
Max. Pressure Rating:	420 bar at 38 °C (6092 psi at 100 °F) more details, check chart below
Max. Temperature Rating for:	
PTFE	232 °C (450 °F)
Graphite	550 °C (1.022 °F)
Oxygen service	200 °C (392 °F)
Min. Temperature Rating for:	
PTFE	-40 °C (-40 °F)
Graphite	-40 °C (-40 °F)



KEY BENEFITS

- Available for oxygen service
- Color-coded dust caps prevent dust ingress and identifies handle function
- PTFE Packing (other materials available upon request)
- Stem with cold rolled surface, back seat and non-rotating needle tip
- Supplied with wetted parts according to NACE MR0175/MR0103 (CD-5 Certificate)
- Material traceability reports available per EN 10204 3.1

COMPONENTS

Wetted

Body	316L (1.4404)
Valve stem	316L (1.4404)
Needle tip	316Ti (1.4571)
Packing	PTFE up to 200 °C (390°F)
Gland nut	316 (1.4401)

Non-Wetted

Bonnet	316 (1.4401)
T-handle	Stainless Steel

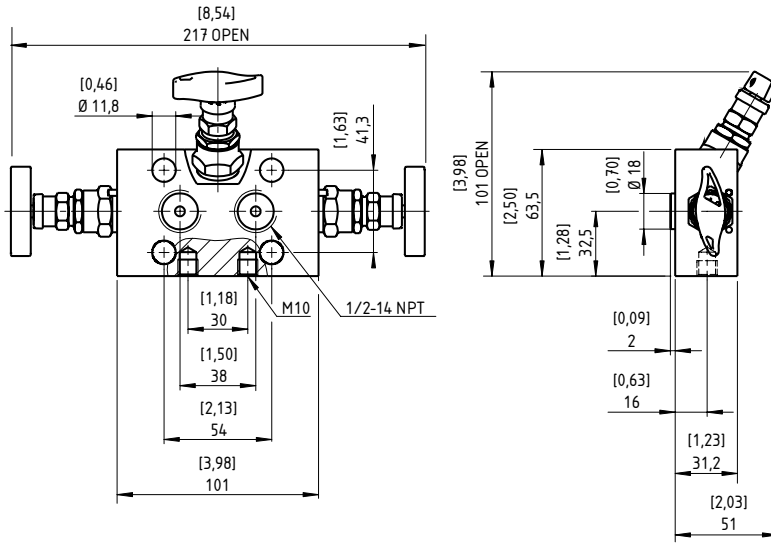
MATERIAL

Data Sheet

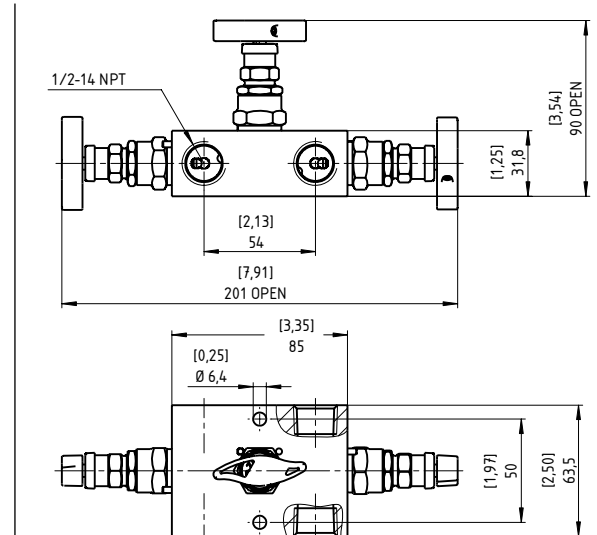
Direct and Remote Mount 3-Valve Manifolds - V02 Series

DIMENSIONS IN MM [INCH]

For reference only, consult Ashcroft for specific dimensional drawings



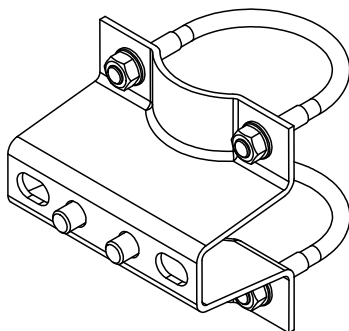
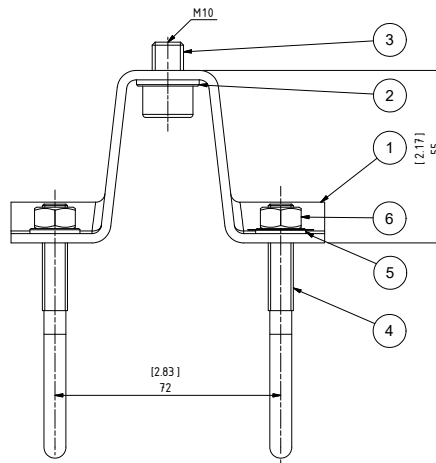
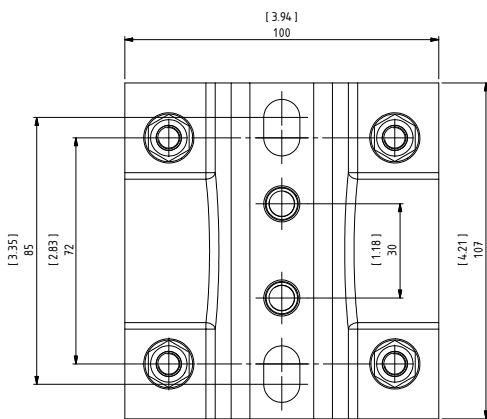
Style A
(Direct mount)



Style B
(Remote mount)

OPTION TM - 2" PIPE MOUNTING BRACKET - DIMENSIONS IN MM [INCH]

For reference only, consult Ashcroft for specific dimensional drawings



POS.	DESCRIPTION	MATERIAL
1	Mounting bracket	316Ti (1.4571)
2	Bracket	316Ti (1.4571)
3	Socket head cap screw ISO 4762 -M6x10	A4
4	U-bolt M8 for 2" pipe	A4
5	Washer 8,4 DIN 128-B	A4
6	Hexagon nut DIN EN 24032-M8	A4



Data Sheet

Direct and Remote Mount 3-Valve Manifolds - V02 Series

ORDERING CODE		EXAMPLE:	50	V02	3V	A	SS	60	C3
Process Connection									
50	1/2 NPT Female		50						
Series Code									
V02	Valve Series V02			V02					
Valves									
3V	3 Valve				3V				
Version									
A	Style A according IEC 61518-A / DIN EN 61518 Form A					A			
B	Style B								
Material									
SS	Stainless steel 316L (1.4404)						SS		
PM	Monel 400 (2.4360)								
HH	Hastelloy C-276 (2.4819)								
Instrument Connection									
50	1/2 NPT Female (Style B only)								
60	IEC / DIN EN 61518 Type A (Style A only)							60	
Options (If choosing an option(s) must include a "X")									
HT	Graphite bonnet for high temperature								
TM	Pipe mounting bracket								
QC	Arctic operations (-55 °C/-67 °F)								
C3	Material Traceability Report acc. to EN 10204 3.1								C3
CD5	Certificate according to NACE for Oilfields MR0175/ISO 15156-2009 and for Refineries MR0103-2010								
MQ	Positive Material Identification (PMI-Test)								
HY	Hydrostatic Testing								
P7	Power piping acc. to ASME B31.1								
6B	Cleaned for Oxygen Service								
NH	Stainless Steel Tags								

