

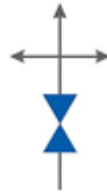
Multiport Valve - V02 Series

FEATURES

- Isolates process from instrument assembly
- Connects multiple instruments to one isolation valve
- Stainless Steel 316L (1.4404) construction
- Pipe plugs and vent plugs available
- Support mounting brackets available

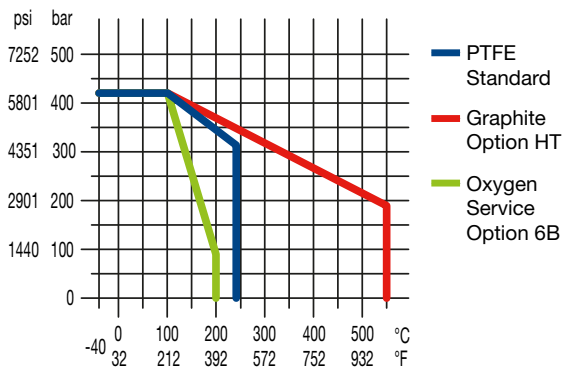
TYPICAL USES

- Oil & Gas Industry
 - Upstream: Onshore/offshore production
 - Midstream: Transport, storage and natural gas compression
 - Downstream: Refineries and petrochemical industries
- Chemical Industry
- Power Plants
 - Conventional power plants
 - Flue gas desulfurization plants
- Other Industries
 - Waste incineration plants
 - Seawater desalination plants
 - Steel mills
 - Cement plants



SPECIFICATIONS

Process Connection:	1/2 NPT Male, 1/2 NPT Female
Instrument Connection:	1/2 NPT Female
Construction:	Stainless Steel 316L (1.4404) Monel 400 (2.4360) Hastelloy C-276 (2.4819) others on request
Max. Pressure Rating:	420 bar at 38 °C (6092 psi at 100 °F) more details, check chart below
Max. Temperature Rating for:	
PTFE	232 °C (450 °F)
Graphite	550 °C (1.022 °F)
Oxygen service	200 °C (392 °F)
Min. Temperature Rating for:	
PTFE	-40 °C (-40 °F)
Graphite	-40 °C (-40 °F)



KEY BENEFITS

- Available for oxygen service
- Color-coded dust caps prevent dust ingress and identifies handle function
- PTFE Packing (other materials available upon request)
- Stem with cold rolled surface, back seat and non-rotating needle tip
- Supplied with wetted parts according to NACE MR0175/MR0103 (CD-5 Certificate)
- Material traceability reports available per EN 10204 3.1

COMPONENTS

MATERIAL

Wetted

Body	316L (1.4404)
Valve stem	316L (1.4404)
Needle tip	316Ti (1.4571)
Packing	PTFE or Graphite
Gland nut	316 (1.4401)

Non-Wetted

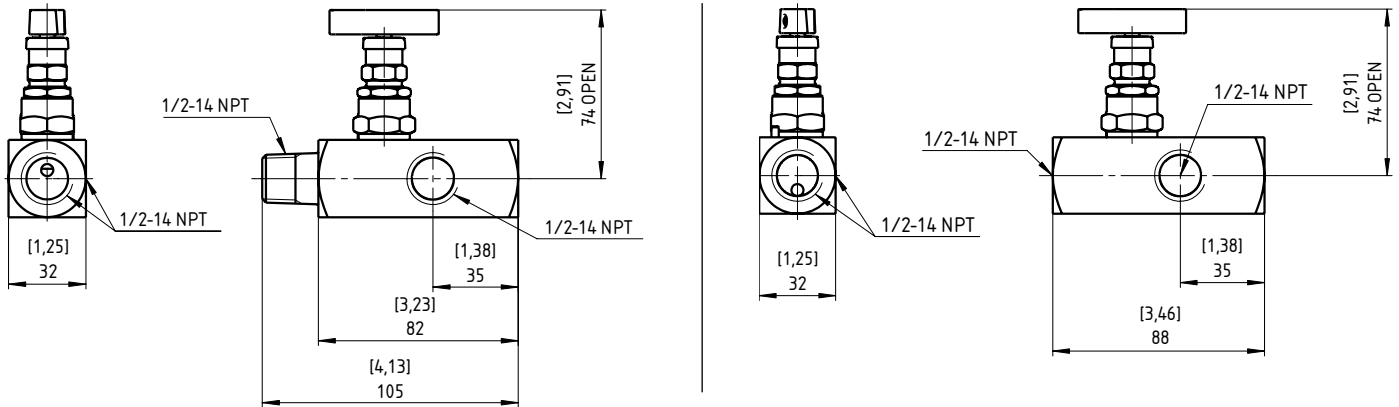
Bonnet	316 (1.4401)
T-handle	316 (1.4401)

Data Sheet

Multiport Valve - V02 Series

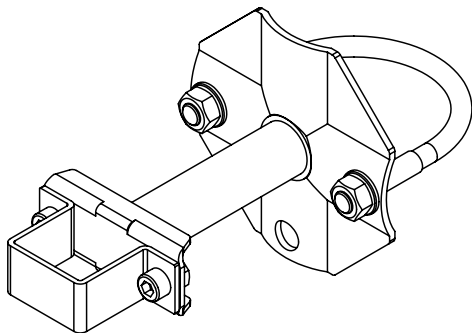
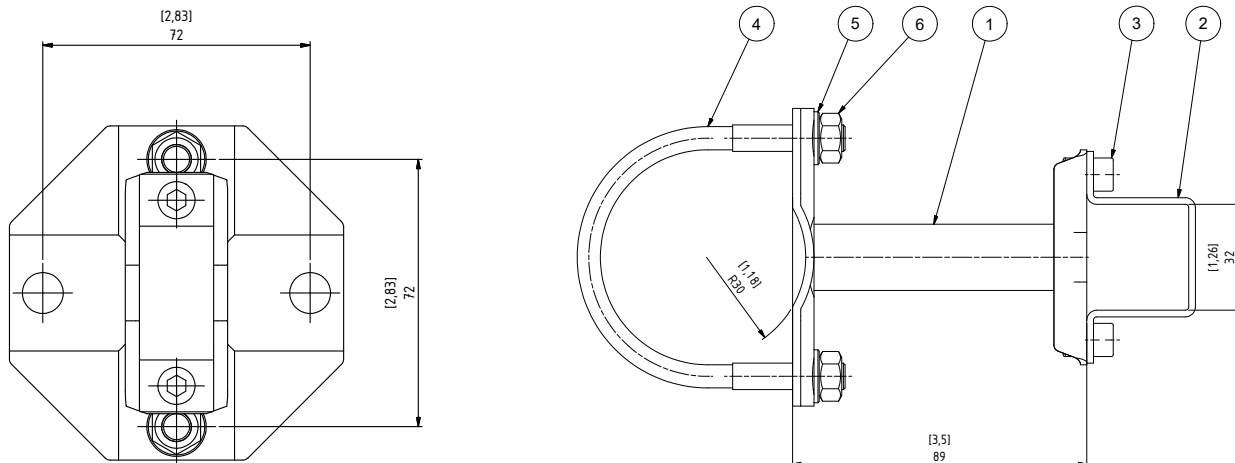
DIMENSIONS IN MM [INCH]

For reference only, consult Ashcroft for specific dimensional drawings



OPTION TM - 2" PIPE MOUNTING BRACKET - DIMENSIONS IN MM [INCH]

For reference only, consult Ashcroft for specific dimensional drawings



POS.	DESCRIPTION	MATERIAL
1	Mounting bracket	316Ti (1.4571)
2	Bracket	316Ti (1.4571)
3	Socket head cap screw ISO 4762 -M6x10	A4
4	U-bolt M8 for 2" pipe	A4
5	Washer 8,4 DIN 128-B	A4
6	Hexagon nut DIN EN 24032-M8	A4



Data Sheet

Multiport Valve - V02 Series

ORDERING CODE		EXAMPLE:	04	V02	MV	A	SS	50	HT
Process Connection									
04	1/2 NPT Male		04						
50	1/2 NPT Female								
Series Code									
V02	Valve Series V02			V02					
Valves									
MV	Multiport Valve				MV				
Version									
A	Style A					A			
Material									
SS	Stainless steel 316L (1.4404)						SS		
PM	Monel 400 (2.4360)								
HH	Hastelloy C-276 (2.4819)								
Instrument Connection									
50	1/2 NPT Female							50	
Options (If choosing an option(s) must include a "X")									
HT	Graphite bonnet for high temperature								HT
TM	Pipe mounting bracket								
QC	Arctic operations (-55 °C/-67 °F)								
C3	Material Traceability Report acc. to EN 10204 3.1								
CD5	Certificate according to NACE for Oilfields MR0175/ISO 15156-2009 and for Refineries MR0103-2010								
MQ	Positive Material Identification (PMI-Test)								
HY	Hydrostatic Testing								
P7	Power piping acc. to ASME B31.1								
PN700	High pressure (10.000 psi / 689 bar)								
6B	Cleaned for Oxygen Service								
NH	Stainless Steel Tags								

