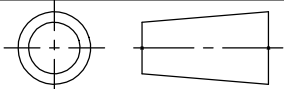


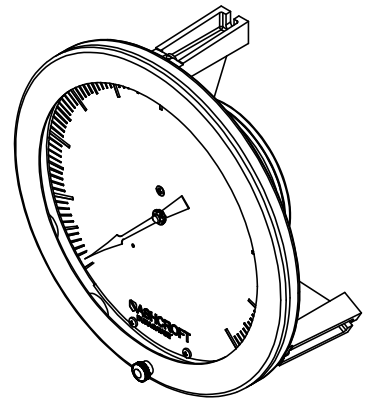
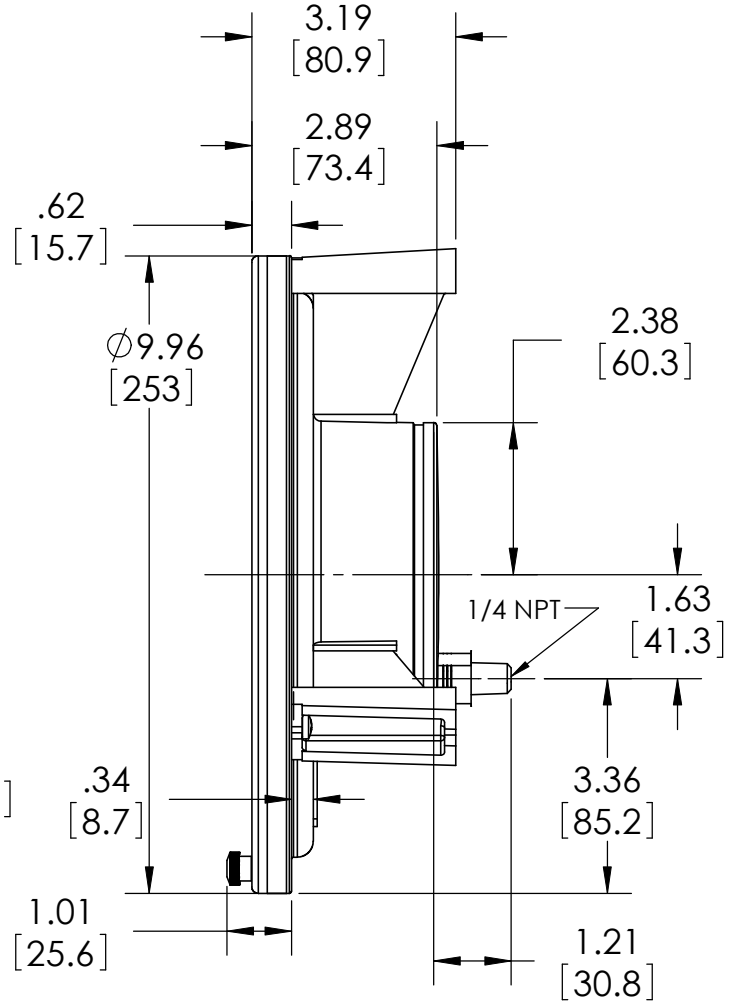
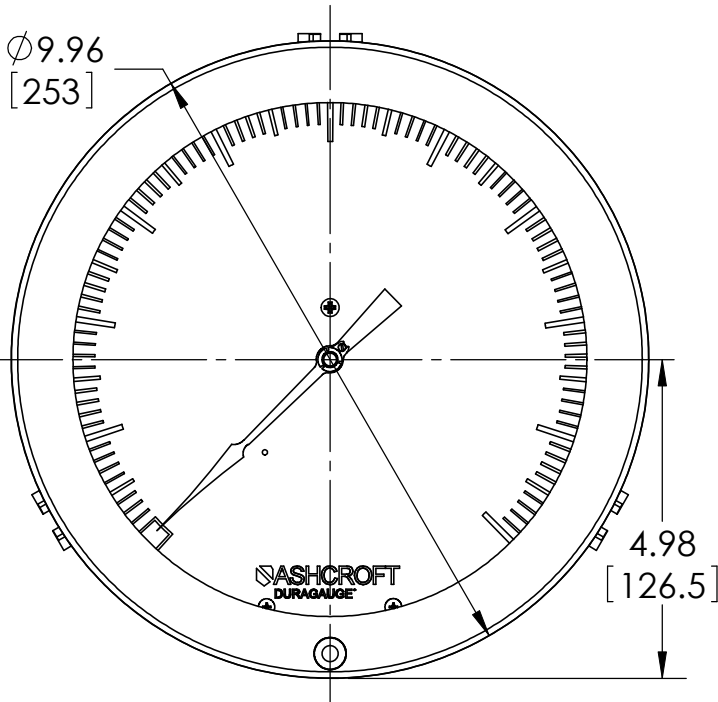
Third angle projection



This drawing includes confidential information which is the property of ASHCROFT INC. This copy is loaned for a specific purpose, with the understanding that it will not be reproduced or used for any other purpose or disclosed to others, and it will be returned on demand.

ASHCROFT® INC.

250 EAST MAIN STREET
STRATFORD, CT 06614



Note: 3 Mounting studs threaded equally spaced on a 9.625" [244] Bolt Circle.

DIMENSIONS IN [] ARE MILLIMETERS

| REV. | ECO | DESCRIPTION | BY | DATE |
|------|---------|--|-----|----------|
| A | 0004455 | RELEASED GENERAL DIMS. FOR 85 1377 02B XBF | MJS | 6/4/2010 |

| | | | | |
|----------------------------------|-----------|------------------------|---------------|----------------|
| This print certified correct for | | General Dimensions | | |
| Customer's Name | | 85 1377 02B XBF SERIES | | |
| | | WALL MOUNTED DURAGAUGE | | |
| Customer's Order No. | Drawn MJS | Date 6/4/10 | Date of Issue | |
| Ashcroft Order No. | Checked | Date | SHEET-1 | Rev. |
| Certified by | Date | Approved | Date | 70A3048 |
| | | | | A |