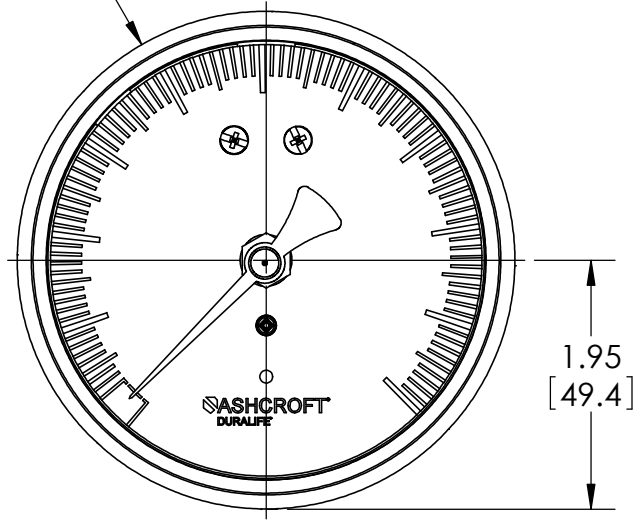


This drawing includes confidential information which is the property of ASHCROFT INC. This copy is loaned for a specific purpose, with the understanding that it will not be reproduced or used for any other purpose or disclosed to others, and it will be returned on demand.

**ASHCROFT** INC.

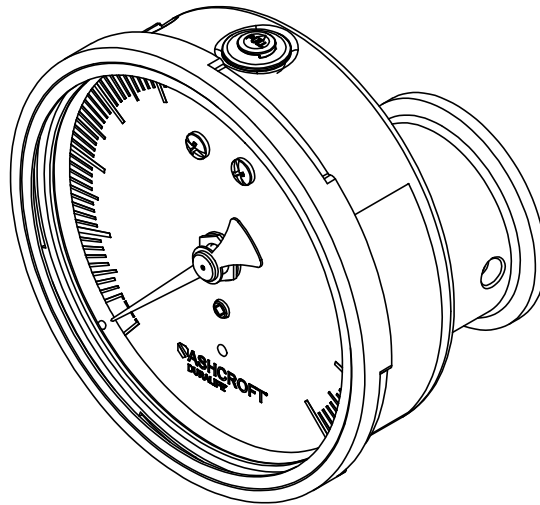
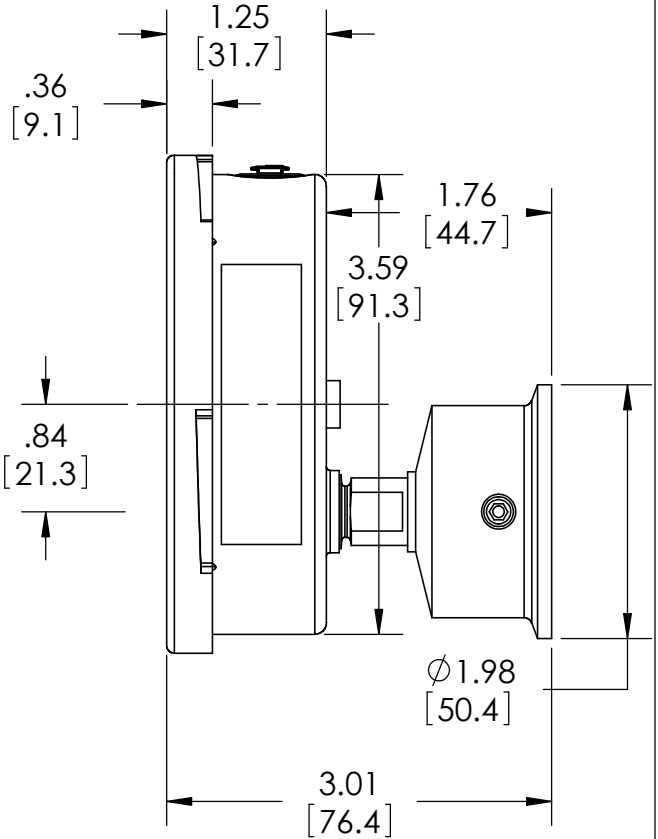
250 EAST MAIN STREET  
STRATFORD, CT 06614

$\phi 3.89$   
[98.8]



.36  
[9.1]

.84  
[21.3]



DIMENSIONS IN [ ] ARE MILLIMETERS

REV.	ECO	DESCRIPTION	BY	DATE
A	0004508	RELEASED GENERAL DIMS.	MJS	8/11/2010

This print certified correct for		<b>General Dimensions</b>			
Customer's Name		ASHCROFT 35 1032 15B SERIES			
		SANITARY GAUGE			
Customer's Order No.	Drawn MJS	Date 8/11/10	Date of Issue		
Ashcroft Order No.	Checked	Date	SHEET-1		Rev.
Certified by	Date	Approved	Date	<b>70A3089</b>	<b>A</b>