

1142 Differential Pressure Gauge

FEATURES

- Glass filled nylon case
- Static pressure capability 1,500 psi
- Ranges from 1 psid to 60 psid
- Superior magnets for smoother pointer motion
- Buna-N diaphragm & O-rings (others available)
- Small convoluted diaphragm actuator

TYPICAL USES

- Filtration monitoring
- Flow measurement
- Tank level measurement
- Leak detection



1142
2 1/2", 4 1/2", 6" dial sizes

SPECIFICATIONS

Accuracy:	±2% ascending pressure full scale differential
Sizes:	2 1/2", 4 1/2", 6"
Ranges:	0-1 thru 0-60 psid
Process Connection Location:	Lower, back, in-line
Process Connection Size:	1/4 NPT Female (STD.) 1/8 NPT or 1/2 NPT Female adapter (OPT.)
Migration:	Zero migration of process media
Maximum Process Temperature:	175°F (80°C)
Minimum Ambient Temperature:	Buna-N Diaphragm -4°F (-20°C) EPDM Diaphragm -40°F (-40°C) Viton Diaphragm 32°F (0°C)
Maximum Static Pressure:	1,500 psi
Weather Protection:	IP65

WETTED COMPONENTS

Actuator	O-Rings/Diaphragm	Body Material
Convoluted Diaphragm	Buna-N	Aluminum, brass or stainless steel

Ceramic magnet & SS spring are also wetted components

NON-WETTED COMPONENTS

Case Material	Window
Thermoplastic, glass filled nylon	Glass (STD.), Safety glass or plastic (OPT.)

KEY BENEFITS

- For high differential and high static pressure
- For locations where temperature fluctuations can cause condensation
- Low Cost
- Panel or direct mounting
- Easy removable window for cleaning
- 5 year warranty

RATINGS FOR STANDARD REED SWITCHES

Switches	Contact Rating	Current	Voltage
SPST	10 VA ac (rms) or dc (Max.)	0.5 Amp ac (rms) or dc (Max.)	100 Vac/Vdc (Max.)
SPDT	3 VA ac (rms) or dc (Max.)	0.3 Amp ac (rms) or dc (Max.)	30 Vac/Vdc (Max.)

1142 Differential Pressure Gauge

ORDERING CODE	Example:	45	1142	A	D	25	S	XV1	5#
Size									
25 - 2½"									
45 - 4½"									
60 - 6"									
Model									
1142 - Convoluted diaphragm									
1142									
Body Material									
A - Brass									
F - Aluminum									
S - Stainless Steel									
Case Fill									
D - Dry									
Process Connection Size									
25 - ¼ NPT Female									
Process Connection Location									
S - In-Line									
L - Lower									
B - Back									
Options (If choosing an option(s) must include an "X")									
CS - Dual scale									
DD - Color band (any combination of green, yellow, red)									
GE - ½ NPT Female adapters									
GM - ½ NPT Female adapters									
EP - Maximum pointer									
VD - Viton® O-rings & diaphragms									
EM - EPDM O-rings & diaphragms									
PD - Plastic window									
SG - Safety glass									
TM - Pipe mounting bracket									
V1 - 1-SPST switch w/DIN plug (Adj. 30-100% of range, Preset @ 80%)									
V2 - 1-SPST switch w/terminal strip (Adj. 30-100% of range, Preset @ 80%)									
V3 - 2-SPST switch w/DIN plug (Adj. 30-100% of range, Preset @ 80%)									
V4 - 2-SPST switch w/terminal strip (Adj. 30-100% of range, Preset @ 80%)									
V5 - 1-SPDT switch w/DIN plug (Adj. 30-100% of range, Preset @ 80%)									
V6 - 1-SPDT switch w/terminal strip (Adj. 30-100% of range, Preset @ 80%)									
V7 - 2-SPDT switch w/DIN plug (Adj. 30-100% of range, Preset @ 80%)									
V8 - 2-SPDT switch w/terminal strip (Adj. 30-100% of range, Preset @ 80%)									
Range (coding examples only, see range table on page 3 for all standard ranges.)									
5# - 5 psi									

1142 Differential Pressure Gauge

1142- Single Scale					
psid	in. H ₂ O	kg/cm ²	bar	mBar	kPa
1#	25IW	0.075KSC	0.075BR	75MB	-
-	100IW	0.25KSC	0.25BR	250MB	25KPa
5#	-	-	-	-	-
8#	200IW	0.5KSC	0.5BR	-	50KPa
-	-	0.75KSC	0.75BR	-	75KPa
15#	400IW	1KSC	1BR	-	100KPa
20#	500IW	-	-	-	-
25#	-	1.6KSC	1.6BR	-	160KPa
30#	-	2KSC	2BR	-	200KPa
-	-	2.5KSC	2.5BR	-	250KPa
40#	-	3KSC	3BR	-	300KPa
50#	-	-	-	-	-
60#	-	4KSC	4BR	-	400KPa

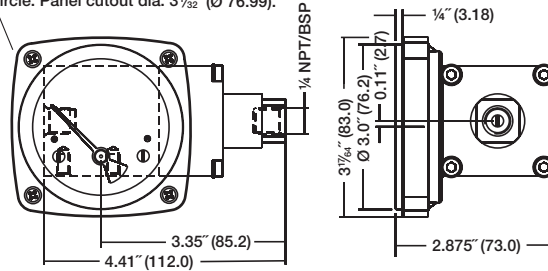
other ranges available upon request

DIMENSIONS

For reference only, consult Ashcroft for specific dimensional drawings.

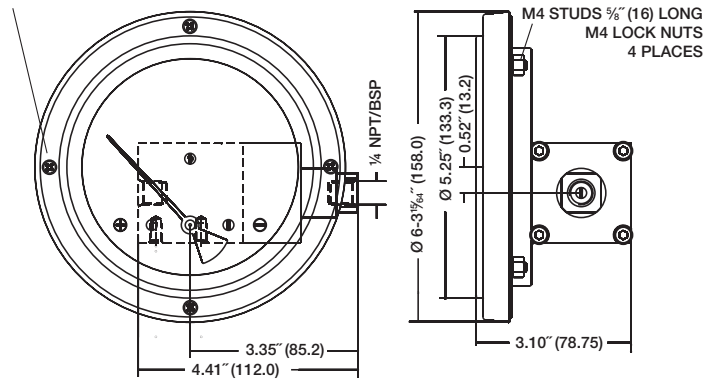
1142 - 2½" (63mm)

4 x Ø 13/64" (5.16) Equally spaced on a 3.5" (Ø 88.9) bolt circle. Panel cutout dia. 3 1/2" (Ø 76.99).



1142 - 4½" (115mm)

4 x Ø 13/64" (5.16) Equally spaced on a 5.62" (Ø 142.85) bolt circle. Panel cutout dia. 5.30 (Ø 134).



1142 - 6" (150mm)

6 x Ø 13/64" (5.16) Equally spaced on a 7.00" (Ø 177.8) bolt circle. Panel cutout dia. 6.22 (Ø 158).

