

Data Sheet

1132 Differential Pressure Gauge

FEATURES

- Static pressure capability (1,500 psi)
- Ranges from 1 psi to 60 psi
- Superior magnets for smoother pointer motion
- Buna-N Diaphragm & O-rings (others available)
- Small convoluted diaphragm actuator

TYPICAL USES

- Filtration monitoring
- Flow measurement
- Tank level measurement
- Leak detection



1132
 2½", 3½", 4", 4½", 6" dial sizes

SPECIFICATIONS

Accuracy:	±2% ascending pressure full scale differential
Sizes:	2½", 3½", 4", 4½", 6"
Ranges:	0-60 psi
Process Connection Location:	Lower, back, in-line
Process Connection Sizes:	¼ NPT Female
Migration:	Zero
Maximum Process Temperature:	175 °F (80 °C)
Minimum Ambient Temperature:	Buna-N Diaphragm -4 °F (-20 °C) EPDM Diaphragm -40 °F (-40 °C) Viton Diaphragm 32 °F (0 °C)
Maximum Static Pressure:	1,500 psi
Weather Protection:	IP65

WETTED COMPONENTS

Actuator	O-Rings/Diaphragm	Body Material
Convoluted diaphragm	Buna-N	Aluminum, brass or stainless steel

NON-WETTED COMPONENTS

Case Material	Window
Stainless steel	Glass (STD.), Safety glass or plastic (OPT.)

KEY BENEFITS

- No migration of the process media
- Standard switches available
- Stainless steel case
- 5 year warranty)

RATINGS FOR STANDARD REED SWITCHES

Switches	Contact Rating	Current	Voltage
SPST	10 VA ac (rms) or dc (Max.)	0.5 Amp ac (rms) or dc (Max.)	100 Vac/Vdc (Max.)
SPDT	3 VA ac (rms) or dc (Max.)	0.3 AMP ac (rms) or dc (Max.)	30 Vac/Vdc (Max.)

Data Sheet

1132 Differential Pressure Gauge

ORDERING CODE	Example:	25	1132	A	D	25	S	XV1	5#
Size									
25 - 2½"		25							
35 - 3½"									
40 - 4"									
45 - 4½"									
60 - 6"									
Series									
1132 - Small Convuluted Diaphragm			1132						
Body Material									
A - Brass				A					
F - Aluminum									
S - Stainless steel									
Case Fill									
D - Dry					D				
L - Glycerin fill (Liquid fill has an effect on accuracy that varies with range and temperature)									
Process Connection Size									
25 - ¼ NPT Female						25			
Process Connection Location									
S - In-Line							S		
L - Lower									
B - Back									
Options (If choosing an option(s) must include an "X")									
BF - Surface mounting plate								X	
CS - Dual scale									
DD - Color band (any combination of green, yellow, red)									
GE - ⅜ NPT Female adapters									
GM - ½ NPT Female adapters									
EP - Maximum pointer (N/A on 2" case)									
FF - Front flange									
VD - Viton™ Diaphragm and O-rings									
EM - EPDM Diaphragm and O-rings O-rings									
GV - Silicone fill (Recommended for outside applications even though unit is hermetically sealed)									
PD - Plastic window									
SG - Safety glass (N/A on 2½" case)									
TM - Pipe mounting bracket									
V1 - 1-SPST switch w/DIN plug	(Adj. from 30%-100% of range. Preset @ 90%)							V1	
V2 - 1-SPST switch w/terminal strip	(Adj. from 30%-100% of range. Preset @ 90%)								
V3 - 2-SPST switch w/DIN plug	(Adj. from 30%-100% of range. Preset @ 90%)								
V4 - 2-SPST switch w/terminal strip	(Adj. from 30%-100% of range. Preset @ 90%)								
V5 - 1-SPDT switch w/DIN plug	(Adj. from 30%-100% of range. Preset @ 90%)								
V6 - 1-SPDT switch w/terminal strip	(Adj. from 30%-100% of range. Preset @ 90%)								
V7 - 2-SPDT switch w/DIN plug	(Adj. from 30%-100% of range. Preset @ 90%)								
V8 - 2-SPDT switch w/terminal strip	(Adj. from 30%-100% of range. Preset @ 90%)								
Range (coding examples only, see range table on page 3 for all standard ranges)									
5# - 5 psi									5#

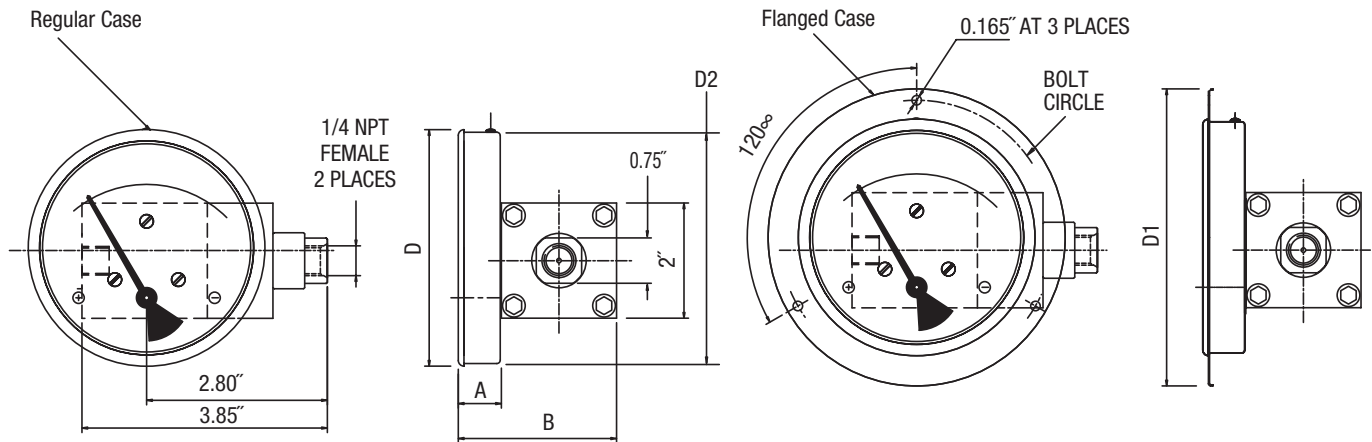
Data Sheet

1132 Differential Pressure Gauge

1132- Single Scale					
psid	in. H ₂ O	kg/cm ²	bar	mBar	kPa
1#	25IW	0.075KSC	0.075BR	75MB	-
-	100IW	0.25KSC	0.25BR	250MB	25KPa
5#	-	-	-	-	-
8#	200IW	0.5KSC	0.5BR	-	50KPa
-	-	0.75KSC	0.75BR	-	75KPa
15#	400IW	1KSC	1BR	-	100KPa
20#	500IW	-	-	-	-
25#	-	1.6KSC	1.6BR	-	160KPa
30#	-	2KSC	2BR	-	200KPa
-	-	2.5KSC	2.5BR	-	250KPa
40#	-	3KSC	3BR	-	300KPa
50#	-	-	-	-	-
60#	-	4KSC	4BR	-	400KPa

DIMENSIONS

For reference only, consult Ashcroft for specific dimensional drawings.



Dial Size (Inches)	A	B	D	D ₁	D ₂	Bolt Circle
2.5"	0.75"	2.74"	2.59"	3.66"	2.55"	3.26"
3.5"	0.75"	2.74"	3.26"	4.29"	3.22"	3.86"
4"	0.75"	2.74"	4.10"	5.15"	4.01"	4.76"
4.5"	0.75"	2.74"	4.71"	5.74"	4.60"	5.35"
6"	0.75"	2.74"	6.07"	7.12"	6.00"	6.73"