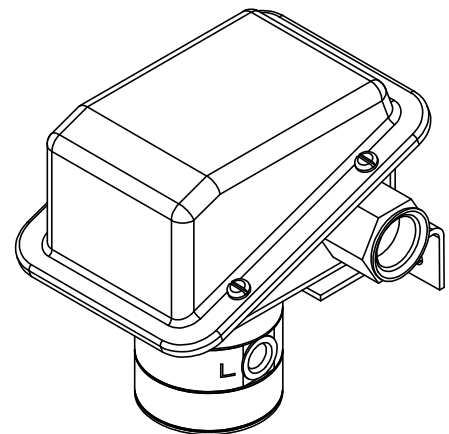
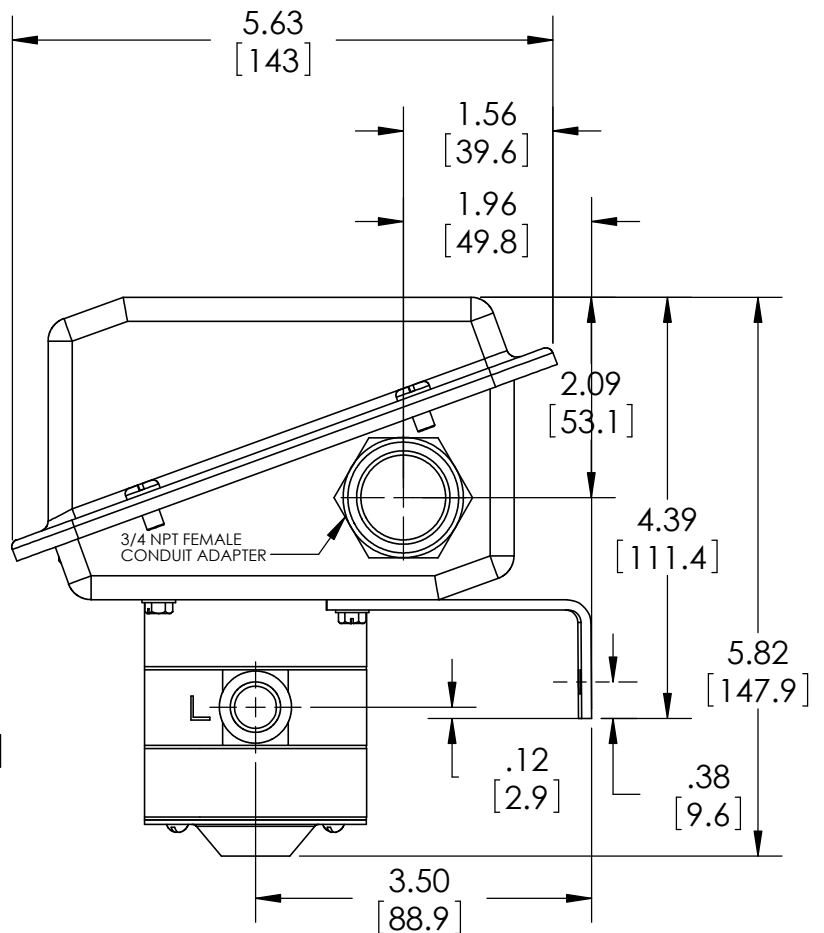
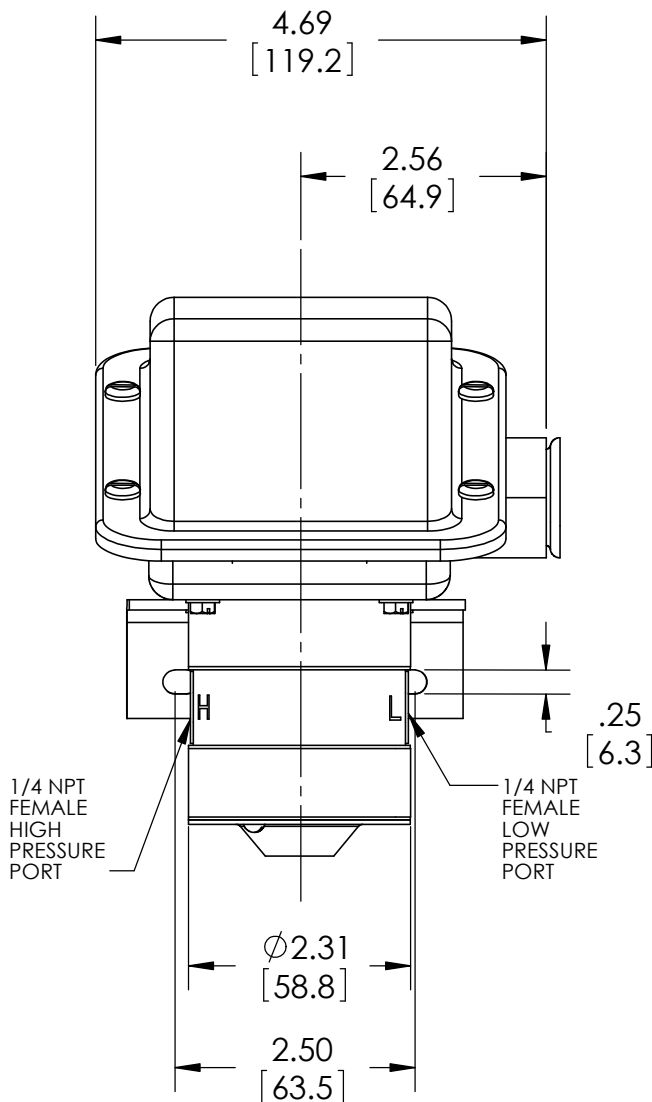


This drawing includes confidential information which is the property of ASHCROFT INC. This copy is loaned for a specific purpose, with the understanding that it will not be reproduced or used for any other purpose or disclosed to others, and it will be returned on demand.

**ASHCROFT** INC.

250 EAST MAIN STREET  
STRATFORD, CT 06614



- Notes:
1. Housing Material: 316 Stainless Steel Standard
  2. Housing Color: 316 Stainless Steel
  3. Process Connection/Lower Housing: 316 Stainless Steel

DIMENSIONS IN [ ] ARE MILLIMETERS

REV.	ECO	DESCRIPTION	BY	DATE
A	0005029	RELEASED GENERAL DIMENSIONS	MJS	7/8/2010

This print certified correct for		<b>General Dimensions</b>			
Customer's Name		G-Series Differential Pressure Switch PSID Ranges			
Customer's Order No.	Drawn MJS	Date 7/8/10	Date of Issue		
Ashcroft Order No.	Checked	Date	SHEET-1		Rev.
Certified by	Date	Approved	Date	<b>70A3077</b>	<b>A</b>